

D

C

B

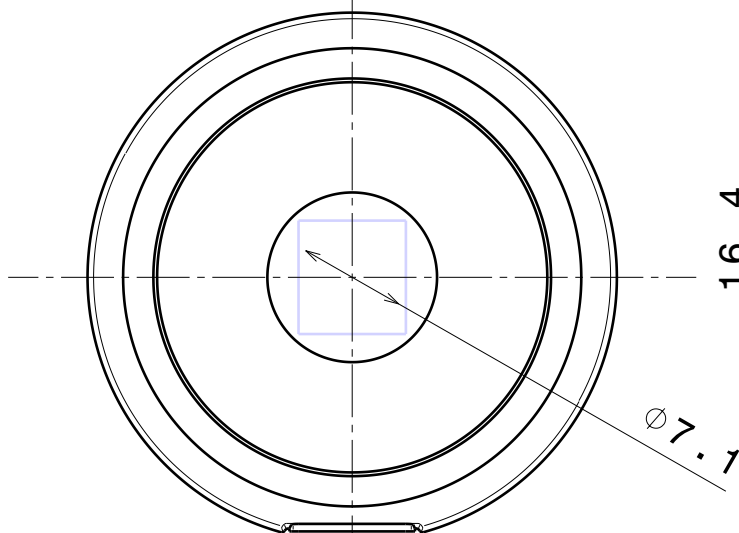
A

DATE

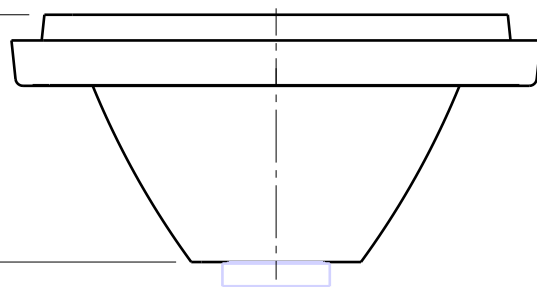
31.05.2018

4

4



16.4

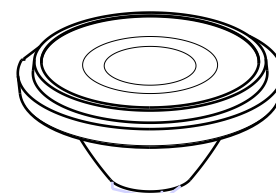
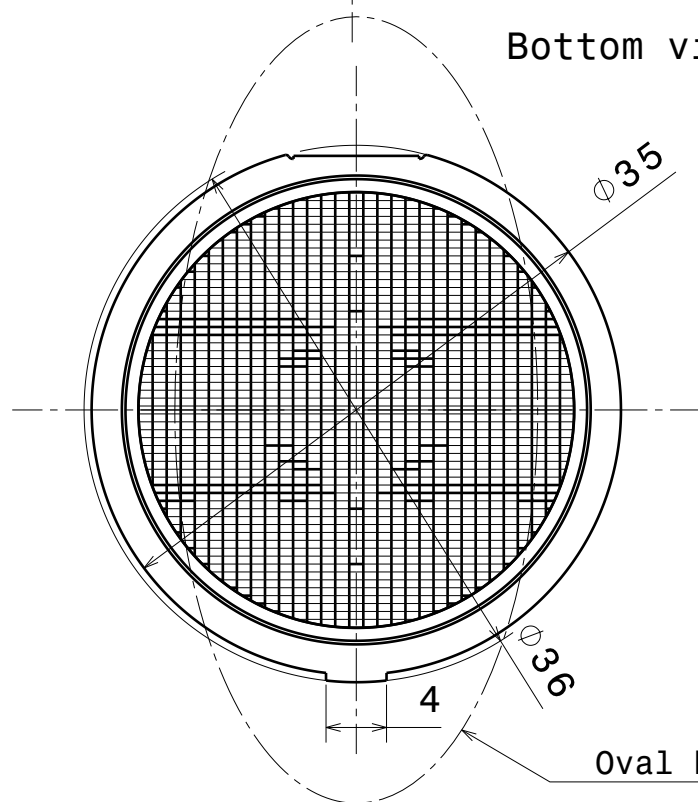
 $\phi 30.5$ 

Side view

Bottom view

3

3



Isometric view

2

2

Top view

PART	MATERIAL	COLOR / COATING
C12828_EVA-0	PMMA	CLEAR

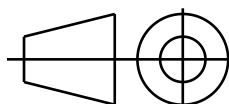
MECHANICAL DRAWING

PRODUCT

EVA**LEDiL**®

Plastic moulding general tolerances according to DIN 16901-130 and applies if not otherwise shown in the drawing.
Silicone moulding general tolerances according to ISO 3302-1 Class M3 and applies if not otherwise shown in the drawing.

FIRST ANGLE PROJECTION:



This drawing is the property of LEDiL Oy. It may not be copied or otherwise distributed without prior written permission from LEDiL Oy.

1

1

SCALE

1:1

WEIGHT -

A4

SHEET 1/1

D

A