

D

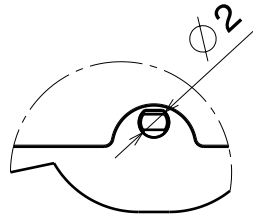
C

B

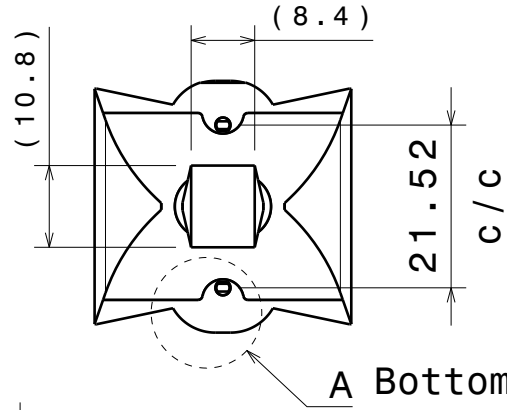
A

4

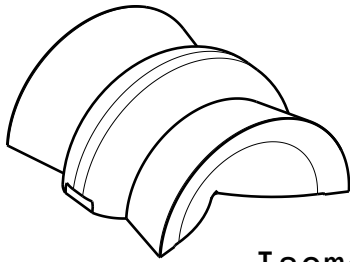
4



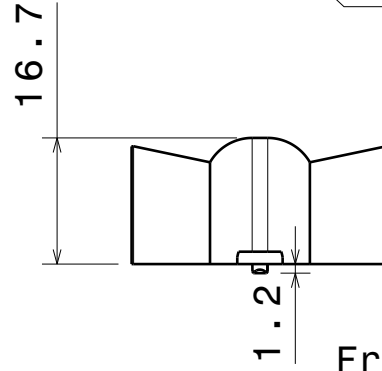
Detail A  
Scale: 2:1



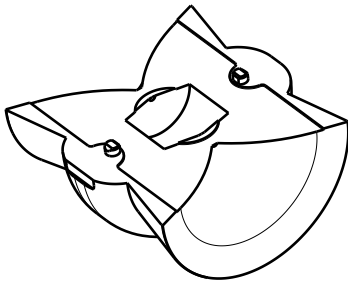
A Bottom view



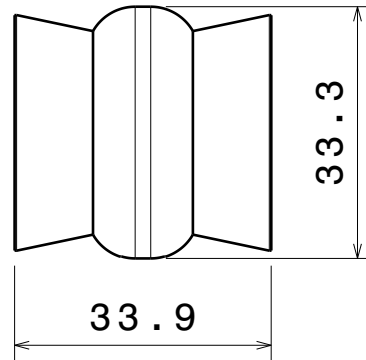
Isometric view



Front view



Isometric view 2



Top view

3

3

2

2

Material: PMMA

Tolerances for dimensions:  
 0-20mm tolerance value  $\pm 0.1\text{mm}$   
 21-45mm tolerance value  $\pm 0.2\text{mm}$   
 46-90mm tolerance value  $\pm 0.3\text{mm}$   
 91-100mm tolerance value  $\pm 0.4\text{mm}$   
 101-mm tolerance value  $\pm 0.5\text{mm}$

This drawing is our property.  
 It can't be reproduced  
 or communicated without  
 our written agreement.



Ledil Oy  
 Salorankatu 10  
 FIN 24240 SALO  
 Finland

DRAWING TITLE

Datasheet FLARE-MAXI Lens

DRAWN BY

pv

DATE

18.4.2012

CHECKED BY

sn

DATE

17.4.2012

DESIGNED BY

hh

DATE

6.4.2012

SIZE

A4

DRAWING NUMBER

C12868

REV

1

SCALE

1:1

WEIGHT (g)

SHEET

1/1

D

A

1

1