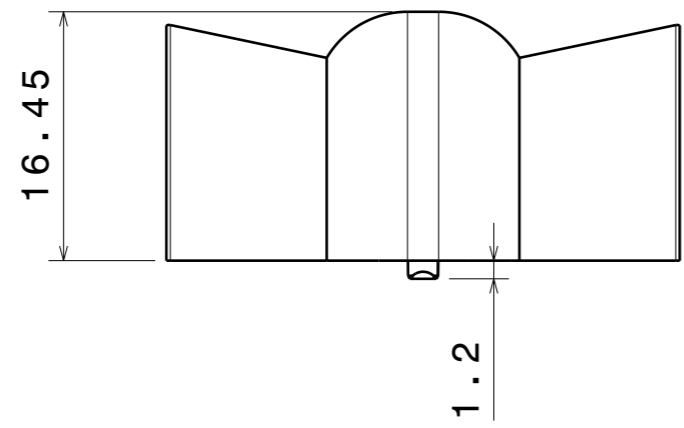
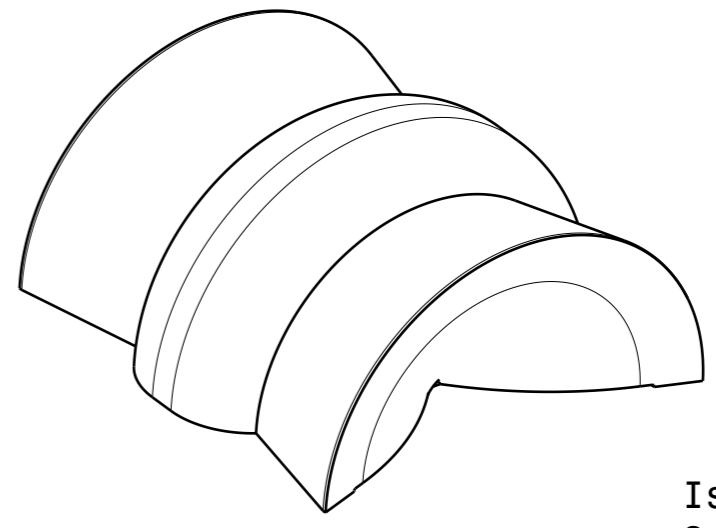


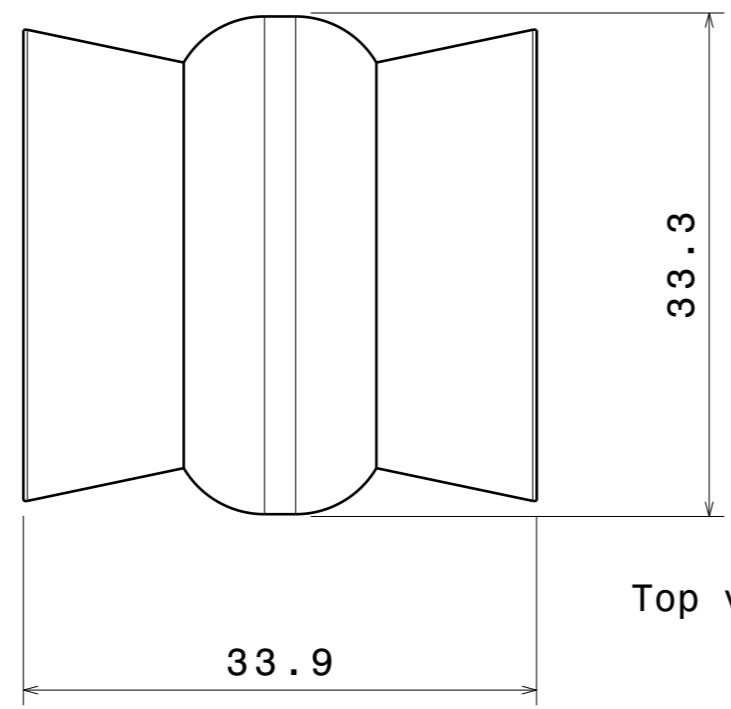
H G F E D C B A



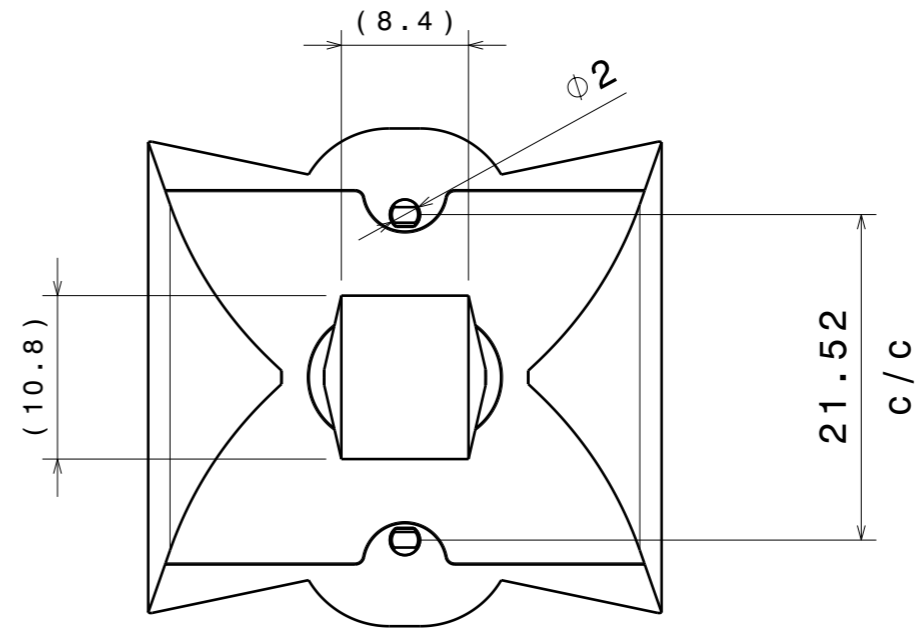
Front view



Isometric view
Scale: 2:1



Top view



Bottom view

PART	TYPE	MATERIAL	COLOR / COATING
C13012_FLARE-MAXI-D		PMMA	

MECHANICAL DRAWING		LEDiL[®]
PRODUCT FLARE		
Plastic moulding general tolerances according to DIN 16901-130 and applies if not otherwise shown in the drawing. Silicone moulding general tolerances according to ISO 3302-1 Class M3 and applies if not otherwise shown in the drawing.	FIRST ANGLE PROJECTION: 	This drawing is the property of LEDiL Oy. It may not be copied or otherwise distributed without prior written permission from LEDiL Oy.
SCALE 2:1	WEIGHT 11,7 g	A3 SHEET 1/1

@ A B A

4
3
2
1

4
3
2
1