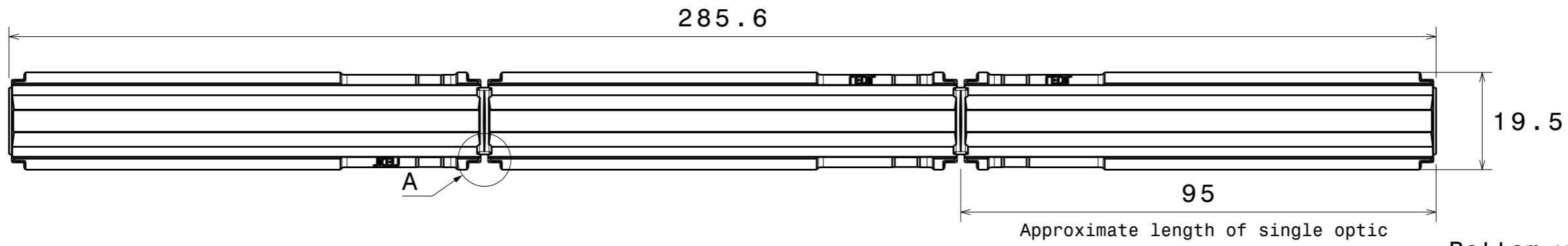
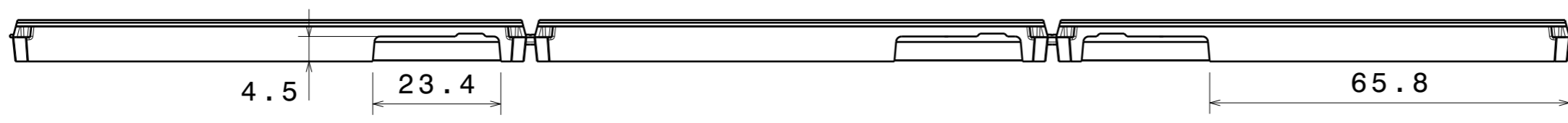


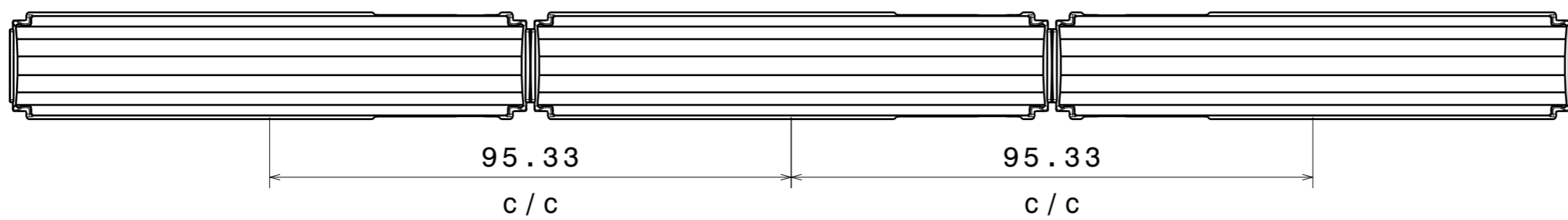
H G F E D C B A



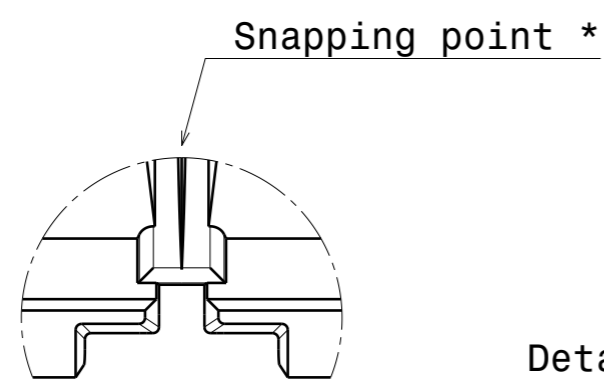
Bottom view



Left view

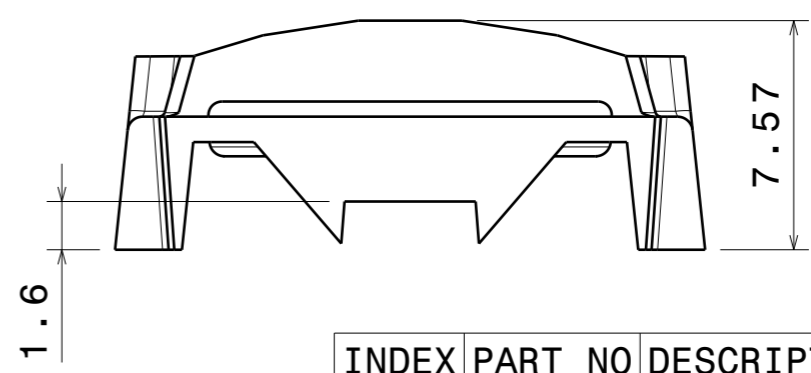


Top view



Detail A  
Scale 4:1

\* Optics can be snapped along this line and used also as single parts.



Front view  
Scale 4:1

INDEX	PART NO	DESCRIPTION	MATERIAL	COLOUR
1	F14468	FLORENCE-1R-Z60	PMMA	

**LEDiL** LediL Oy  
 Salorankatu 10  
 FIN 24240 SALO  
 Finland

Tolerances if not otherwise shown  
 According to DIN ISO 2768-1  
 Linear measures:  
 Up to 30mm class M, otherwise class C.  
 According to DIN ISO 2768-2  
 Form and position: class L

THIRD ANGLE PROJECTION:

DRAWING TITLE  
**F14468\_FLORENCE-1R-Z60**

This drawing is the property of LEDiL Oy. It may not be reproduced, copied or communicated without a written agreement with LEDiL Oy.

SIZE PART NUMBER  
**A3 F14468**

SCALE 1:1 SHEET 1/1

H G B A