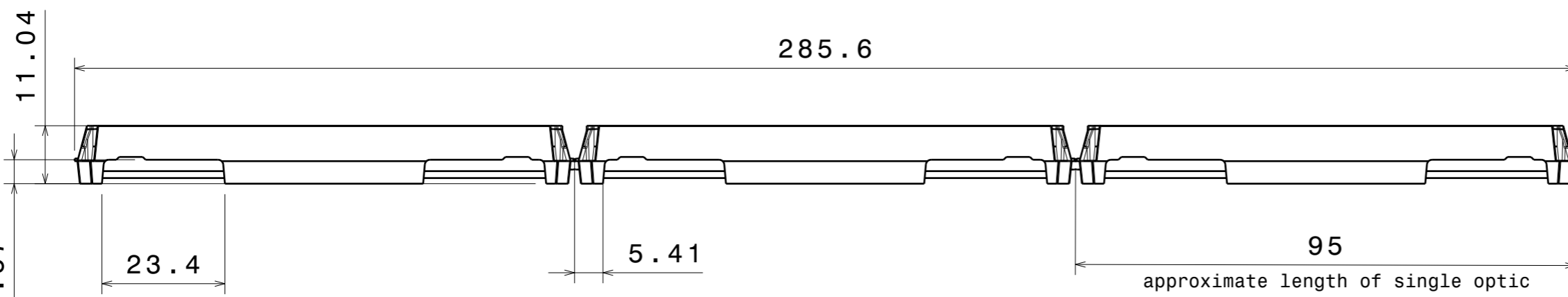
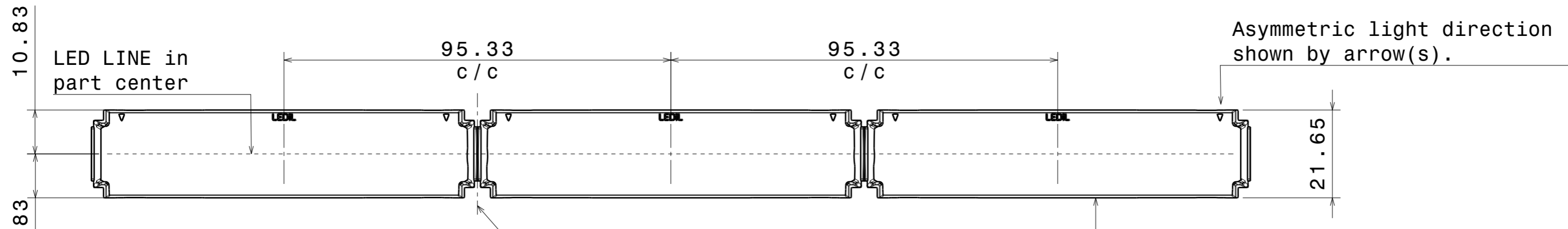


H G F E D C B A



Left view

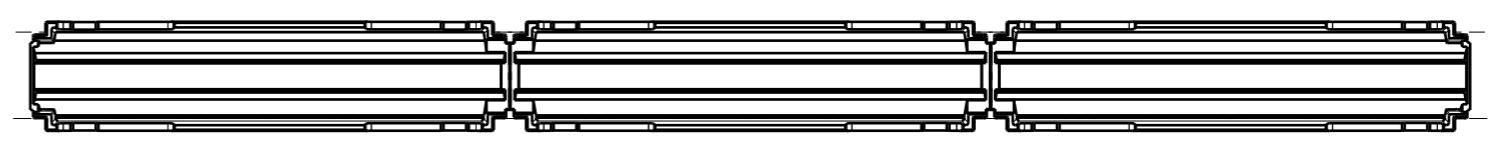
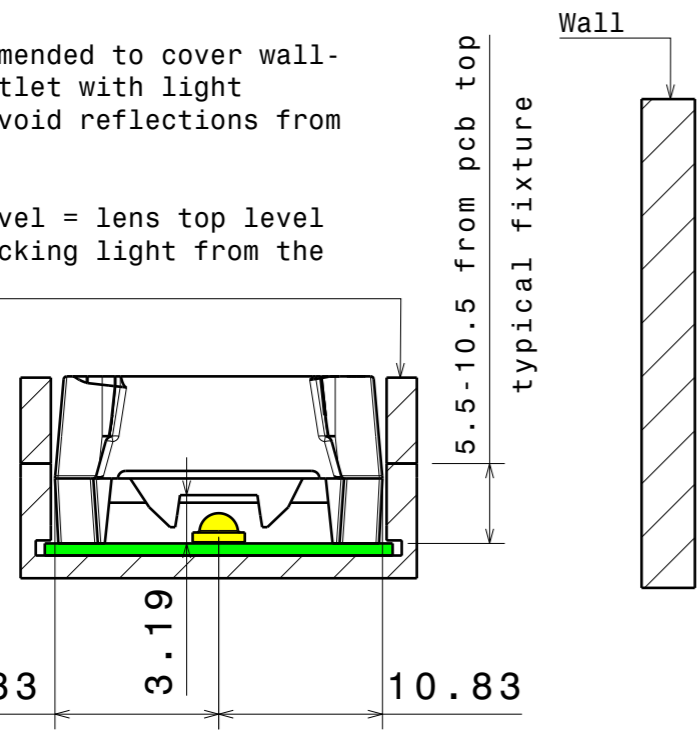


Top view

Optics can be snapped along this line and used also as single parts.

wall side
100-200mm
typical

Highly recommended to cover wall-side wire outlet with light fixture to avoid reflections from components.
Cover max level = lens top level to avoid blocking light from the wall.



Bottom view
Scale 2:3

INDEX	PART NO	DESCRIPTION	MATERIAL	COLOUR
1	C14487	FLORENCE-1R-MAXI-WG	PMMA	clear

Tolerances if not otherwise shown
According to DIN ISO 2768-1
Linear measures: class M
According to DIN ISO 2768-2
Form and position: class L

LEDiL LediL Oy
Joensuunkatu 13
FIN 24100 SALO
Finland

THIRD ANGLE PROJECTION:

DRAWING TITLE
C14487_FLORENCE-1R-MAXI-WG

This drawing is the property of LEDiL Oy. It may not be reproduced, copied or communicated without a written agreement with LEDiL Oy.

SIZE PART NUMBER
A3 C14487

SCALE 1:1 WEIGHT SHEET 1/1

H G B A