

D

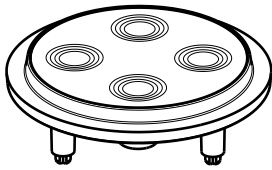
C

B

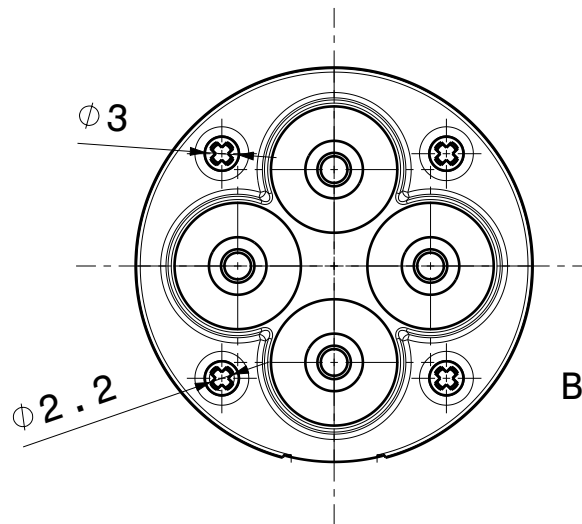
A

DATE

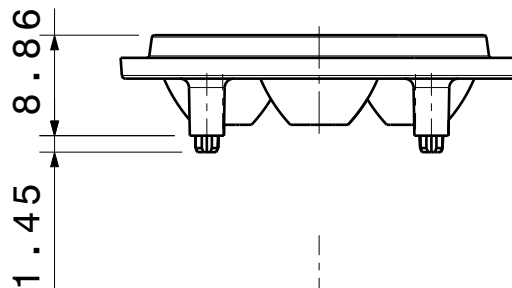
27.06.2018



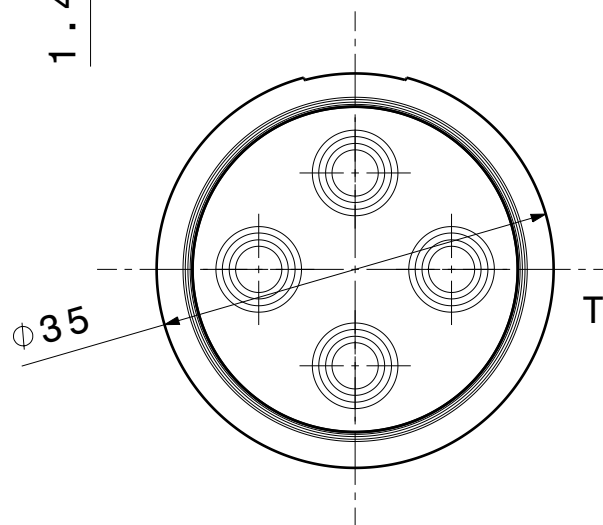
Isometric view
Scale 1:1



Bottom view



Front view



Top view

PART	TYPE	MATERIAL	COLOR / COATING
-	LENS	PMMA	CLEAR

MECHANICAL DRAWING

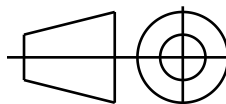
PRODUCT

GT-4

LEDiL®

Plastic moulding general tolerances according to DIN 16901-130 and applies if not otherwise shown in the drawing. Silicone moulding general tolerances according to ISO 3302-1 Class M3 and applies if not otherwise shown in the drawing.

FIRST ANGLE PROJECTION:



This drawing is the property of LEDiL Oy. It may not be copied or otherwise distributed without prior written permission from LEDiL Oy.

SCALE 3:2

WEIGHT -

A4 SHEET 1/1

D

A