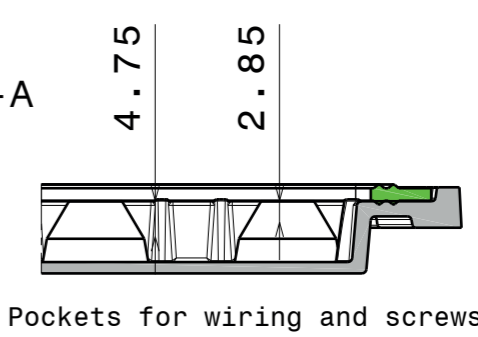


Section view A-A



INDEX	PART NO	DESCRIPTION	MATERIAL	COLOUR
1	C14229	HB-IP-2X6-WWW	PMMA	clear
2	C14018	2x6-SEAL25	Silicone	white

Plastic moulding general tolerances according to DIN 16901-130 and applies if not otherwise shown in the drawing.
Silicone moulding general tolerances according to ISO 3302-1 Class M3 and applies if not otherwise shown in the drawing.

LEDiL LediL Oy
Salorankatu 10
FIN 24240 SALO
Finland

THIRD ANGLE PROJECTION:

DRAWING TITLE
CS14263_HB-IP-2X6-WWW

This drawing is the property of LEDiL Oy. It may not be reproduced, copied or communicated without a written agreement with LEDiL Oy.

SIZE	PART NUMBER		
A3	CS14263		

SCALE	1:1	WEIGHT	62,2 g	SHEET	1/1
-------	-----	--------	--------	-------	-----