

D

C

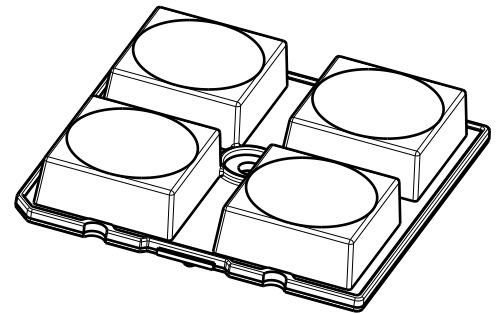
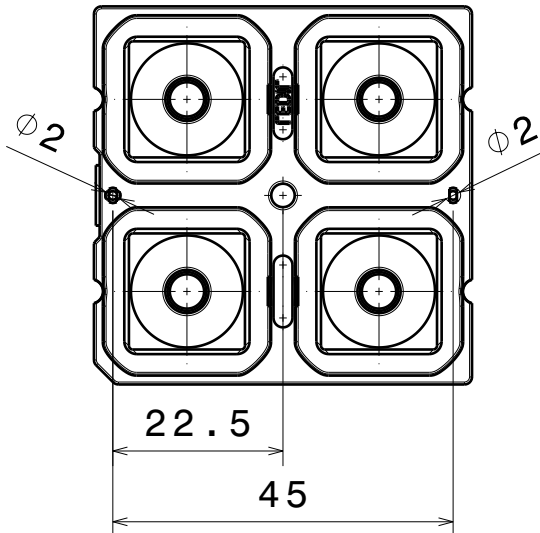
B

A

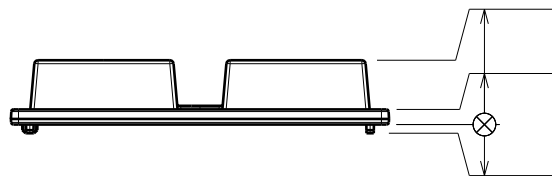
DATE

21.03.2019

Bottom view



Front view

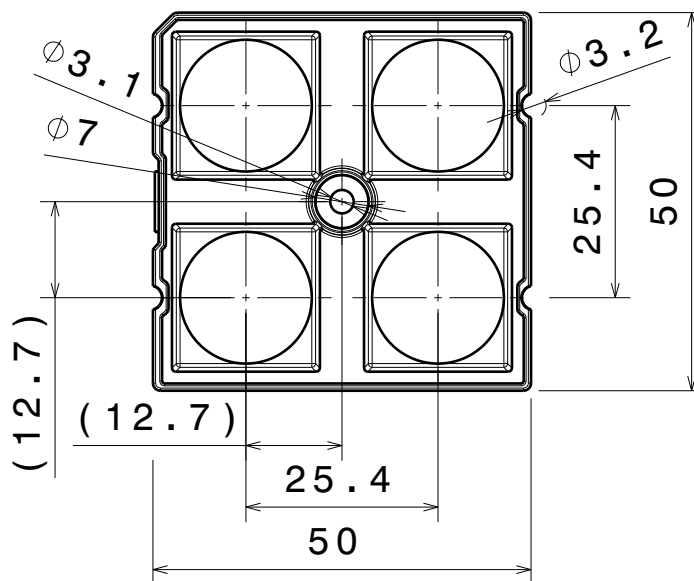


8.5

2

1.15

Top view



PART

TYPE

MATERIAL

COLOR / COATING

C14928\_HB-2X2-RW-PC

LENS PC

clear

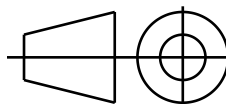
**MECHANICAL DRAWING**

PRODUCT

**C14928\_HB-2X2-RW-PC****LEDiL**®

Plastic moulding general tolerances according to DIN 16901-130 and applies if not otherwise shown in the drawing. Silicone moulding general tolerances according to ISO 3302-1 Class M3 and applies if not otherwise shown in the drawing.

FIRST ANGLE PROJECTION:



This drawing is the property of LEDiL Oy. It may not be copied or otherwise distributed without prior written permission from LEDiL Oy.

SCALE

1:1

WEIGHT

-

A4

SHEET 1/1

D

A