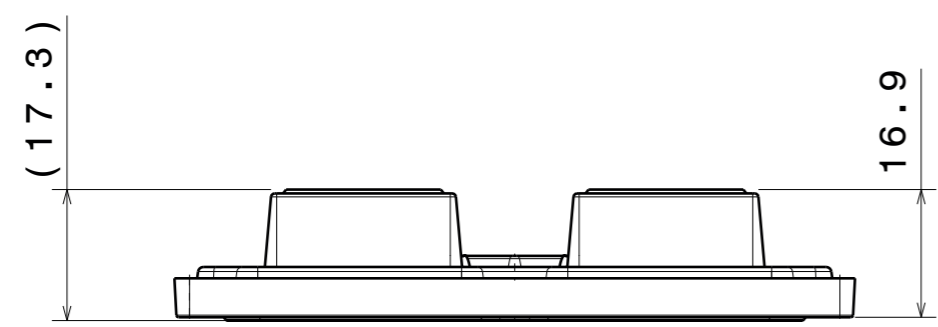
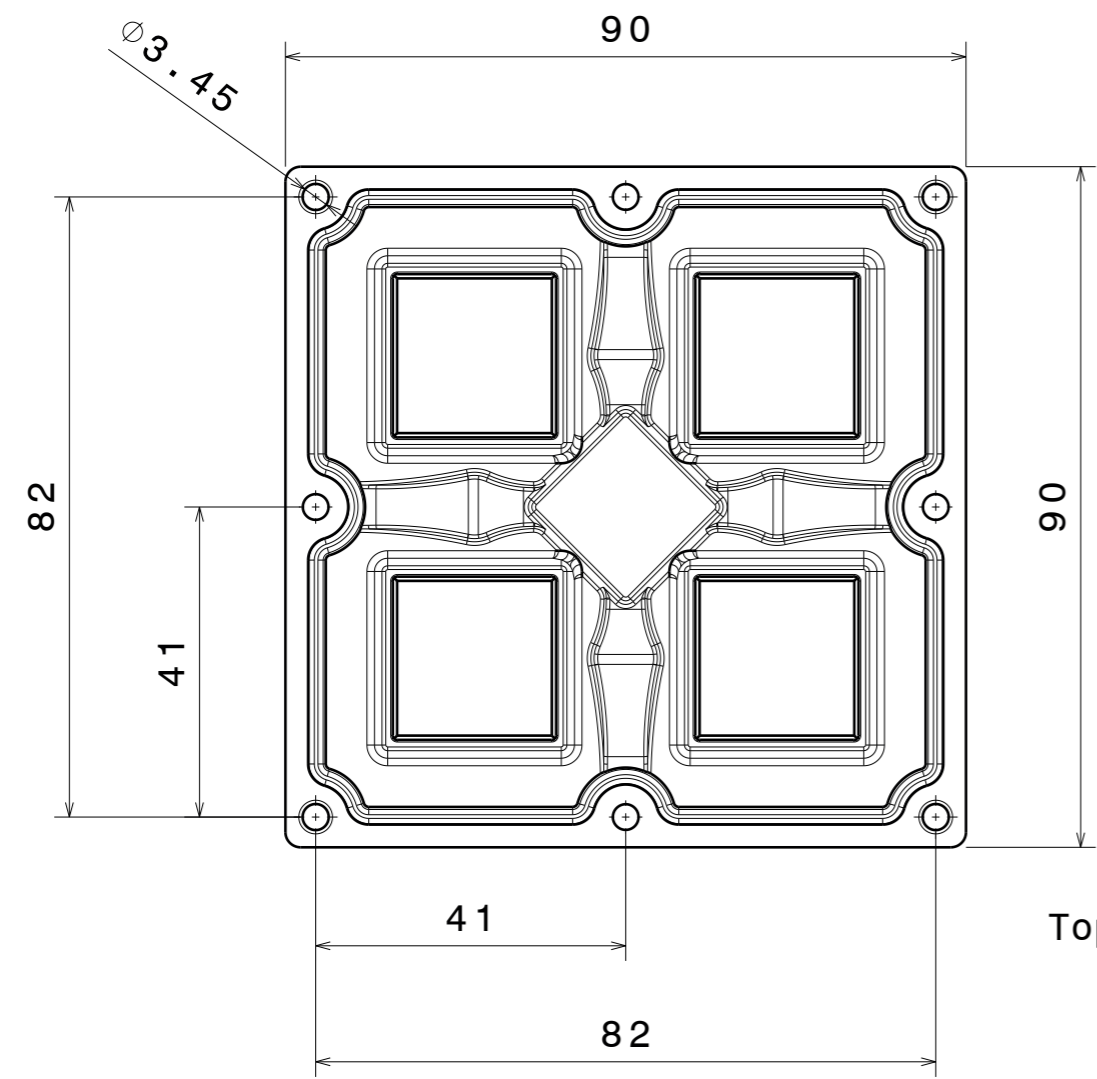


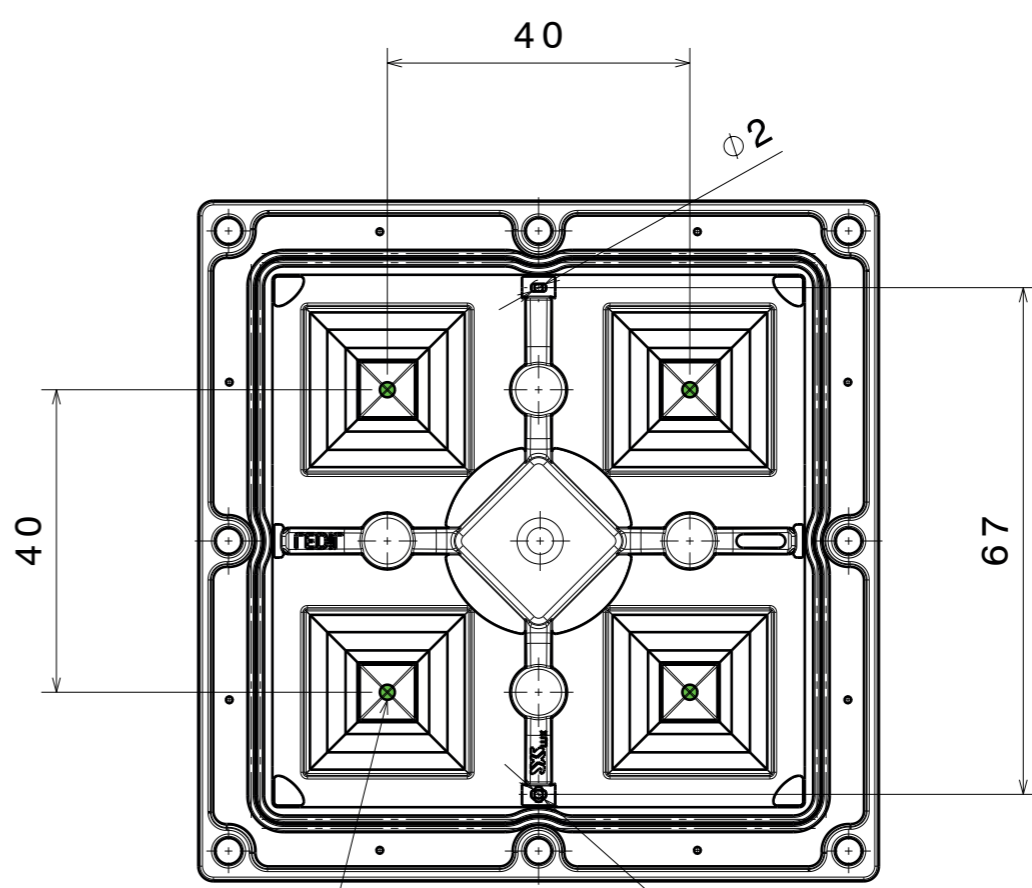
H G F E D C B A



Front view



Top view



LED position

Bottom view

INDEX	PART NO	DESCRIPTION	MATERIAL	COLOUR
1	C15757	STRADA-2X2MX-8-SEAL	Silicone	
2	C15758	HB-2X2MX-8-W	PMMA	

Plastic moulding general tolerances according to DIN 16901-130 and applies if not otherwise shown in the drawing.  
Silicone moulding general tolerances according to ISO 3302-1 Class M3 and applies if not otherwise shown in the drawing.

**LEDiL** LediL Oy  
Salorankatu 10  
FIN 24240 SALO  
Finland

THIRD ANGLE PROJECTION:

DRAWING TITLE  
**CS15759\_HB-2X2MX-8-W**

This drawing is the property of LEDiL Oy. It may not be reproduced, copied or communicated without a written agreement with LEDiL Oy.

SIZE	PART NUMBER
<b>A3</b>	<b>CS15759</b>

SCALE	1:1	WEIGHT	50 g	SHEET	1/1
-------	-----	--------	------	-------	-----

H G B A