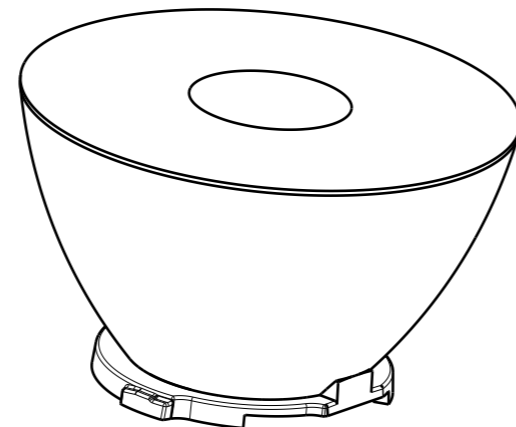
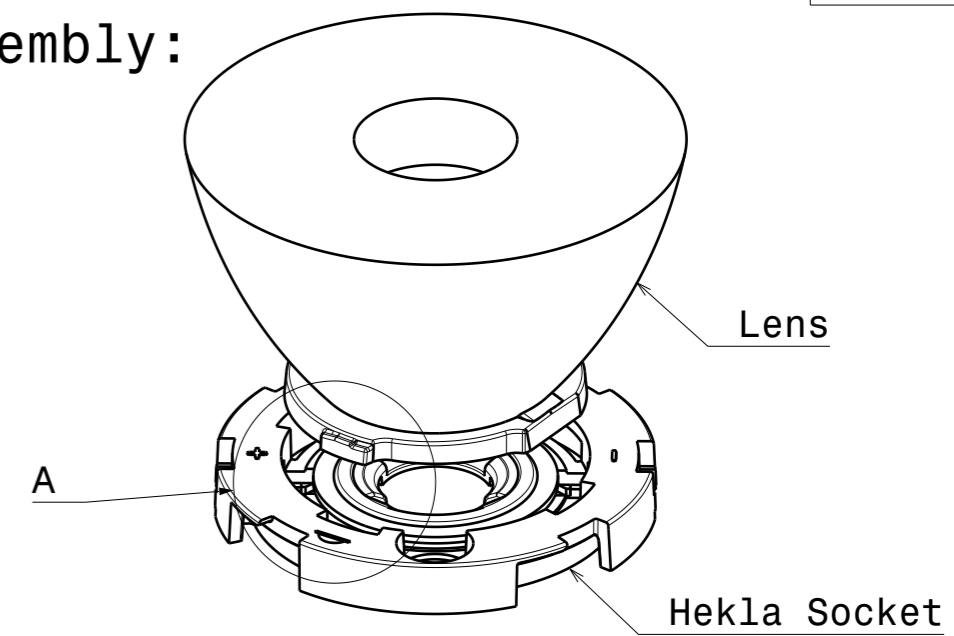


Example assembly:

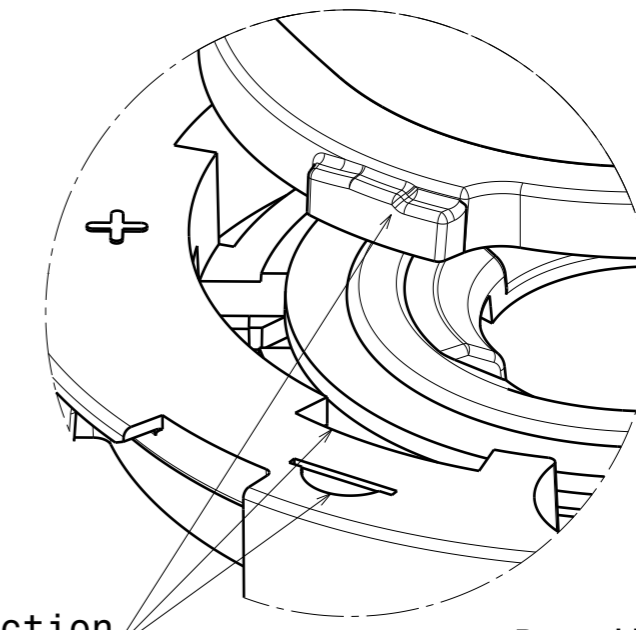


Isometric view
Scale: 4:3



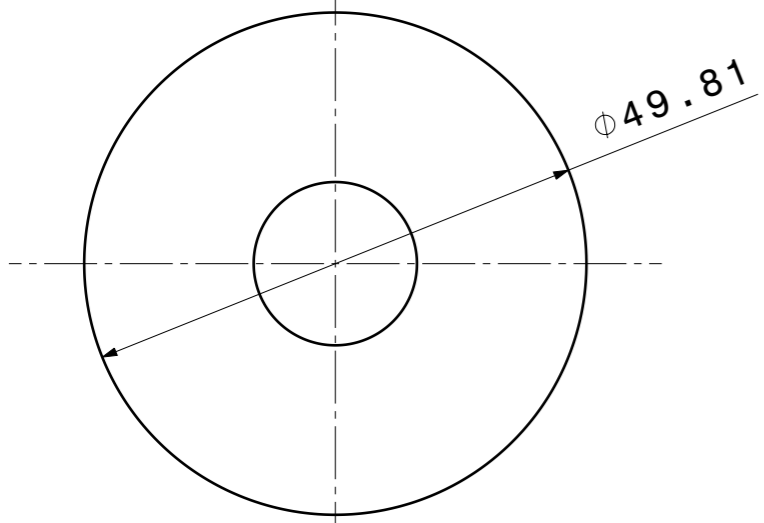
Lens

Hekla Socket

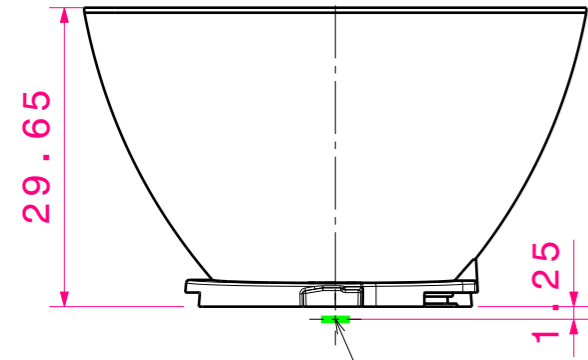


Detail A
Scale: 4:1

Notice right
assembly direction

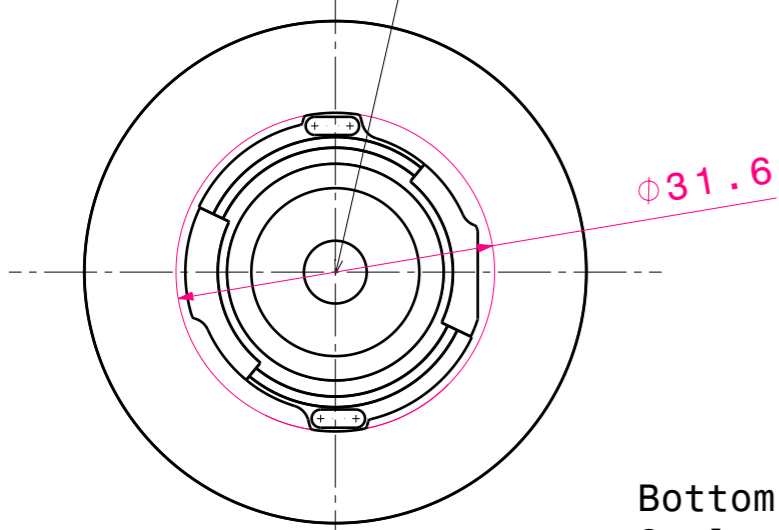


Top View
Scale: 4:3



Front View
Scale: 4:3

Optically optimal
LES/LED chip location



Bottom View
Scale: 4:3

Notes

Ensure LED fitting from a product specific 3D model available from www.ledil.com
For more details about installation please see LEDiL Installation Guide on www.ledil.com

PART	TYPE	MATERIAL	COLOR / COATING
C16688_ILONA-W	Lens	PMMA	Clear

MECHANICAL DRAWING		LEDiL®
PRODUCT ILONA		
Plastic moulding general tolerances according to DIN 16901-130 and applies if not otherwise shown in the drawing. Silicone moulding general tolerances according to ISO 3302-1 Class M3 and applies if not otherwise shown in the drawing.	FIRST ANGLE PROJECTION: 	This drawing is the property of LEDiL Oy. It may not be copied or otherwise distributed without prior written permission from LEDiL Oy.
SCALE 1:1	WEIGHT 3,29 g	A3 SHEET 1/1