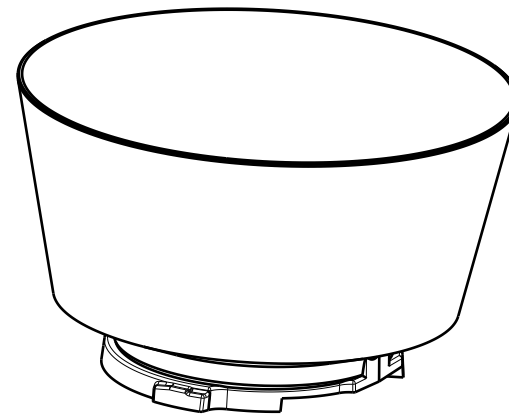
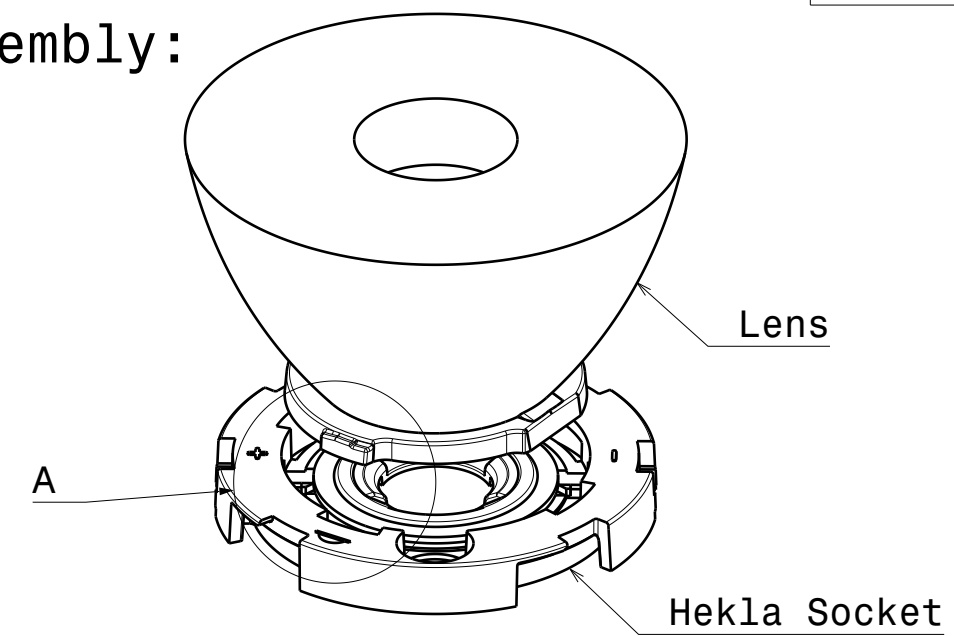


Example assembly:

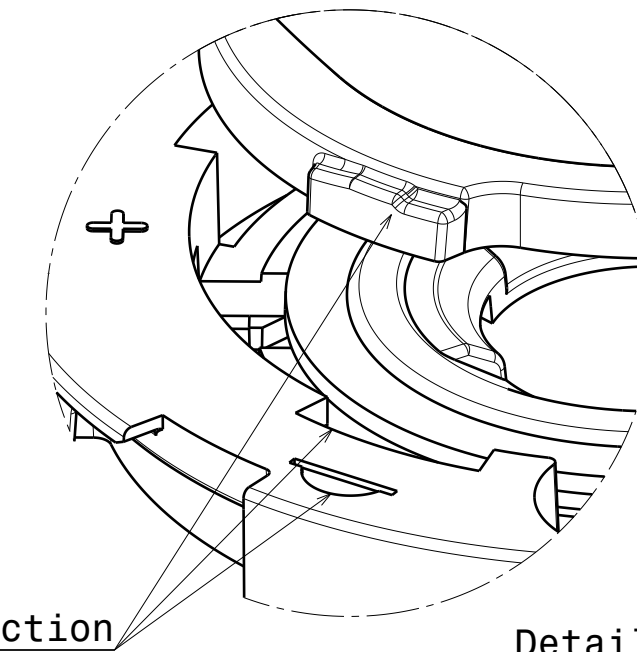


Isometric view
Scale: 4:3



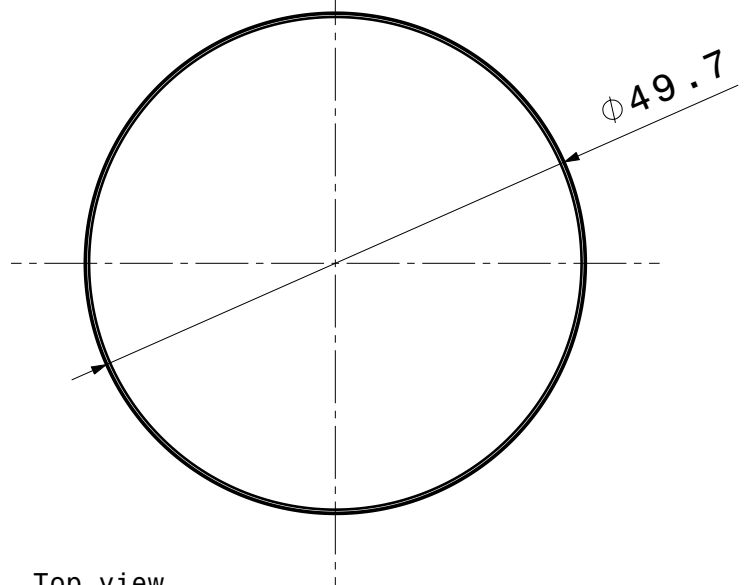
Lens

Hekla Socket

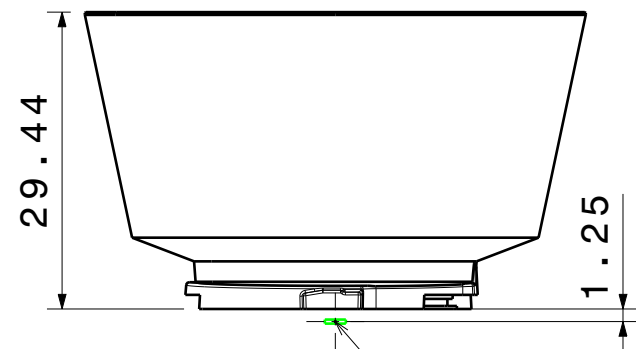


Detail A
Scale: 4:1

Notice right
assembly direction

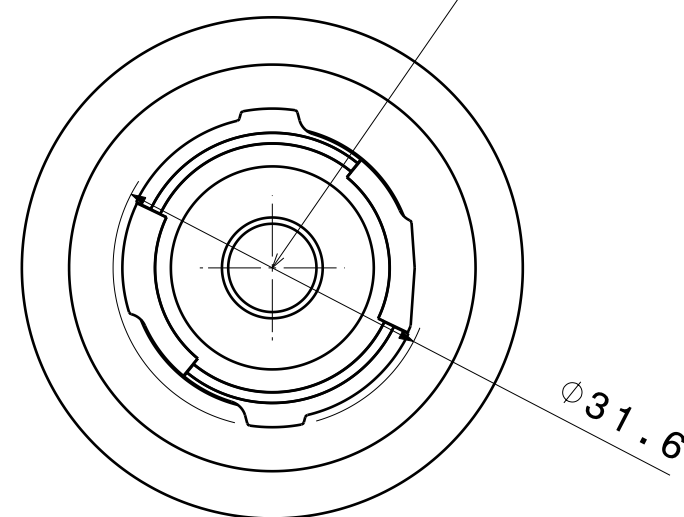


Top view
Scale: 4:3



Front view
Scale: 4:3

Optically optimal
LES/LED chip location



Bottom view
Scale: 4:3

Notes

Ensure LED fitting from a product specific 3D model available from www.ledil.com
For more details about installation please see LEDiL Installation Guide on www.ledil.com

| PART | TYPE | MATERIAL | COLOR / COATING |
|-----------------|------|----------|-----------------|
| C17434_ILONA-WW | Lens | PMMA | Clear |

| | | |
|---|-----------------------------|---|
| MECHANICAL DRAWING | | LEDiL[®] |
| PRODUCT ILONA | | |
| Plastic moulding general tolerances according to DIN 16901-130 and applies if not otherwise shown in the drawing. Silicone moulding general tolerances according to ISO 3302-1 Class M3 and applies if not otherwise shown in the drawing. | FIRST ANGLE PROJECTION: | This drawing is the property of LEDiL Oy. It may not be copied or otherwise distributed without prior written permission from LEDiL Oy. |
| SCALE 1:1 | WEIGHT - | A3 SHEET 1/1 |