

D

C

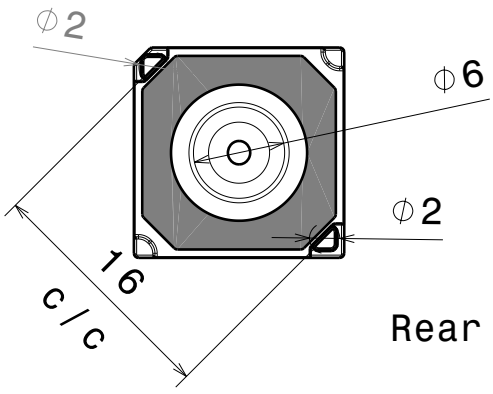
B

A

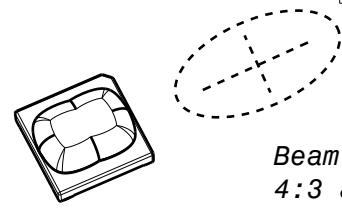
DATE
15.08.2018

4

4



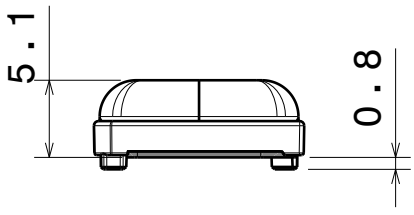
Rear view



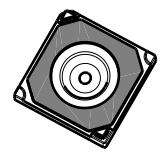
Isometric view  
Scale: 1:1

3

3

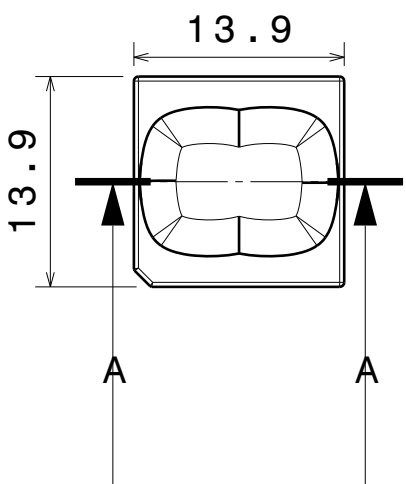


Bottom view

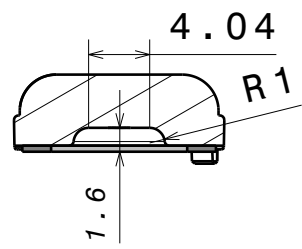


2

2



Front view



Section view A-A

PART	TYPE	MATERIAL	COLOR / COATING
CA16755_IRIE-A	lens + tape	PMMA	clear + black tape

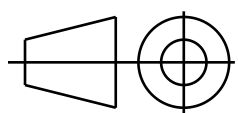
**MECHANICAL DRAWING**

PRODUCT  
**IRIE**



Plastic moulding general tolerances according to DIN 16901-130 and applies if not otherwise shown in the drawing. Silicone moulding general tolerances according to ISO 3302-1 Class M3 and applies if not otherwise shown in the drawing.

FIRST ANGLE PROJECTION:



This drawing is the property of LEDiL Oy. It may not be copied or otherwise distributed without prior written permission from LEDiL Oy.

SCALE	1:1	WEIGHT	-	A4	SHEET 1/1
-------	-----	--------	---	----	-----------

D

A