

D

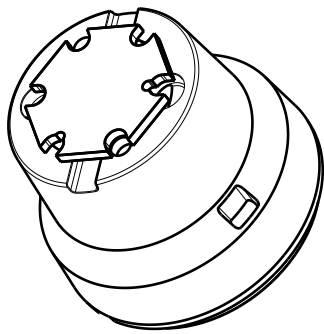
C

B

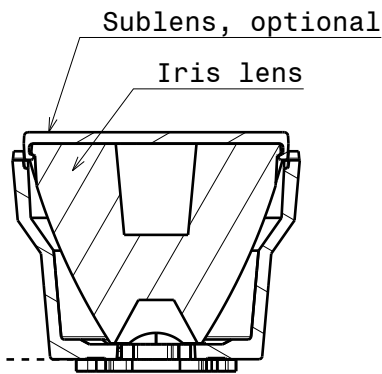
A

4

4



Isometric view

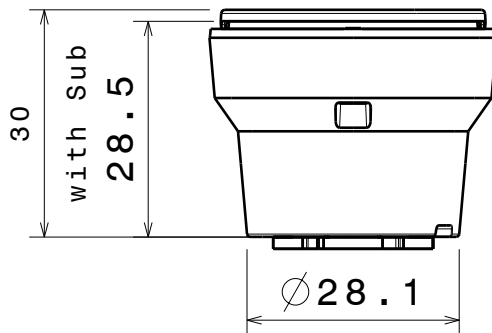


Section view A-A

Pcb top level

3

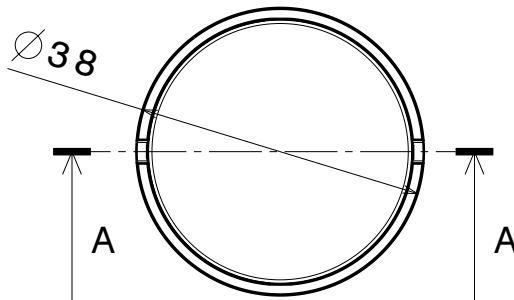
3



Front view

2

2



Top view

Materials:  
 Lens PMMA  
 Holder PC

This drawing is our property.  
 It can't be reproduced  
 or communicated without  
 our written agreement.



Ledil Oy  
 Salorankatu 10  
 FIN-24100 SALO  
 Finland

DRAWING TITLE

Datasheet Iris MC/ Ostar assy

DRAWN BY  
 a

DATE  
 13.4.2012

CHECKED BY  
 x x

DATE  
 13.4.2012

SIZE  
 A4

DRAWING NUMBER  
 -

REV  
 1

DESIGNED BY

DATE

SCALE

1:1

WEIGHT (g)

SHEET

1/1

D

A

1

1