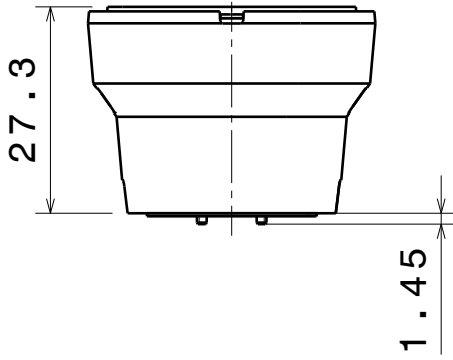
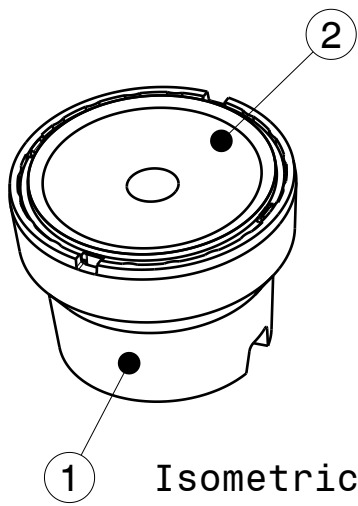


D C B A

4

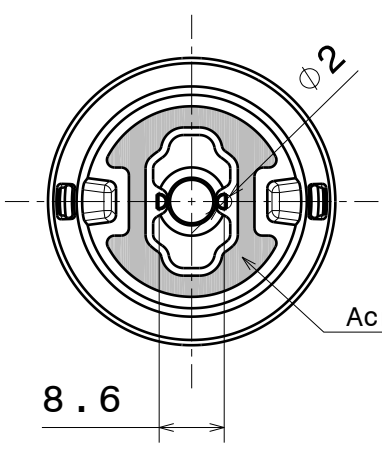


Front view

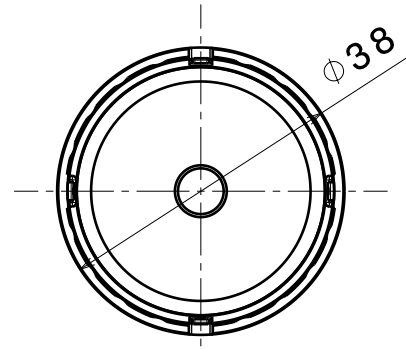


1 Isometric view  
Scale: 1:1

3



Bottom view



Top view

INDEX	PART NO	DESCRIPTION	MATERIAL	COLOUR
1	C12034	IRIS-XM-HLD	PC	black
2	F12075	IRIS	PMMA	clear

Tolerances if not otherwise shown  
According to DIN ISO 2768-1  
Linear measures:  
Up to 30mm class M, otherwise class C.  
According to DIN ISO 2768-2  
Form and position: class L

**LEDiL** LediL Oy  
Joensuunkatu 13  
FIN 24100 SALO  
Finland

THIRD ANGLE PROJECTION:

DRAWING TITLE  
**FCA12104\_IRIS**

This drawing is the property of LEDiL Oy. It may not be reproduced, copied or communicated without a written agreement with LEDiL Oy.

SIZE PART NUMBER  
**A4 FCA12104**

SCALE 1:1 WEIGHT 19,5 g SHEET 1/1

2

1

D A