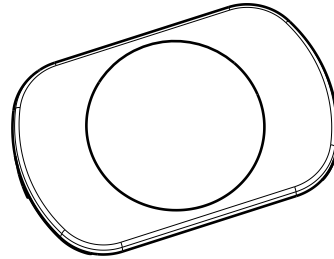
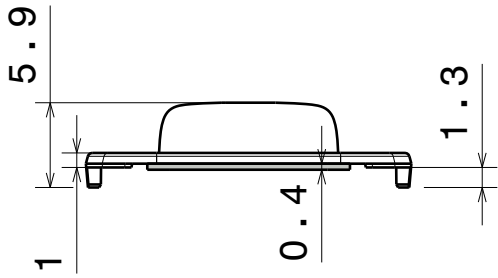


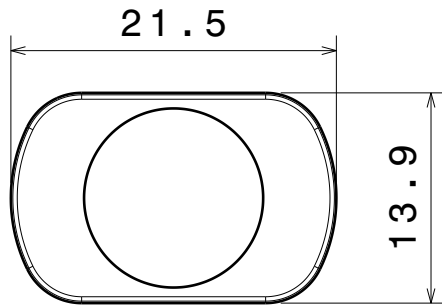
D C B A

4

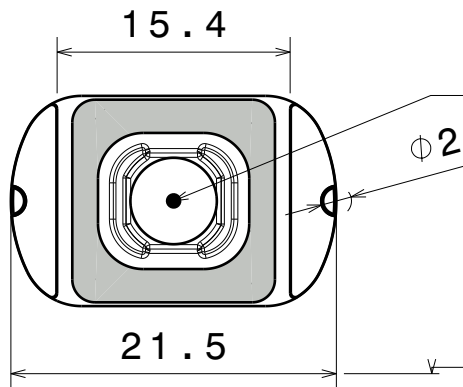


Isometric view

3



2



Led position

Positionpins center to center

4

3

2

| INDEX | PART NO | DESCRIPTION | MATERIAL | COLOUR |
|-------|---------|-------------|---------------|--------|
| 1 | C13746 | KIKI-A | PMMA | CLEAR |
| 2 | C16797 | SIRI-TAPE-3 | ADHESIVE TAPE | BLACK |

Tolerances if not otherwise shown
According to DIN ISO 2768-1
Linear measures:
Up to 30mm class M, otherwise class C.
According to DIN ISO 2768-2
Form and position: class L

LEDiL LediL Oy
Joensuunkatu 13
FIN 24100 SALO
Finland

THIRD ANGLE PROJECTION:

DRAWING TITLE
CA13747_KIKI-A

This drawing is the property of LEDiL Oy. It may not be reproduced, copied or communicated without a written agreement with LEDiL Oy."

| | |
|-----------|----------------|
| SIZE | PART NUMBER |
| A4 | CA13747 |

| | | | | | |
|-------|-----|--------|---|-------|-----|
| SCALE | 2:1 | WEIGHT | - | SHEET | 1/1 |
|-------|-----|--------|---|-------|-----|

1

1

D

A