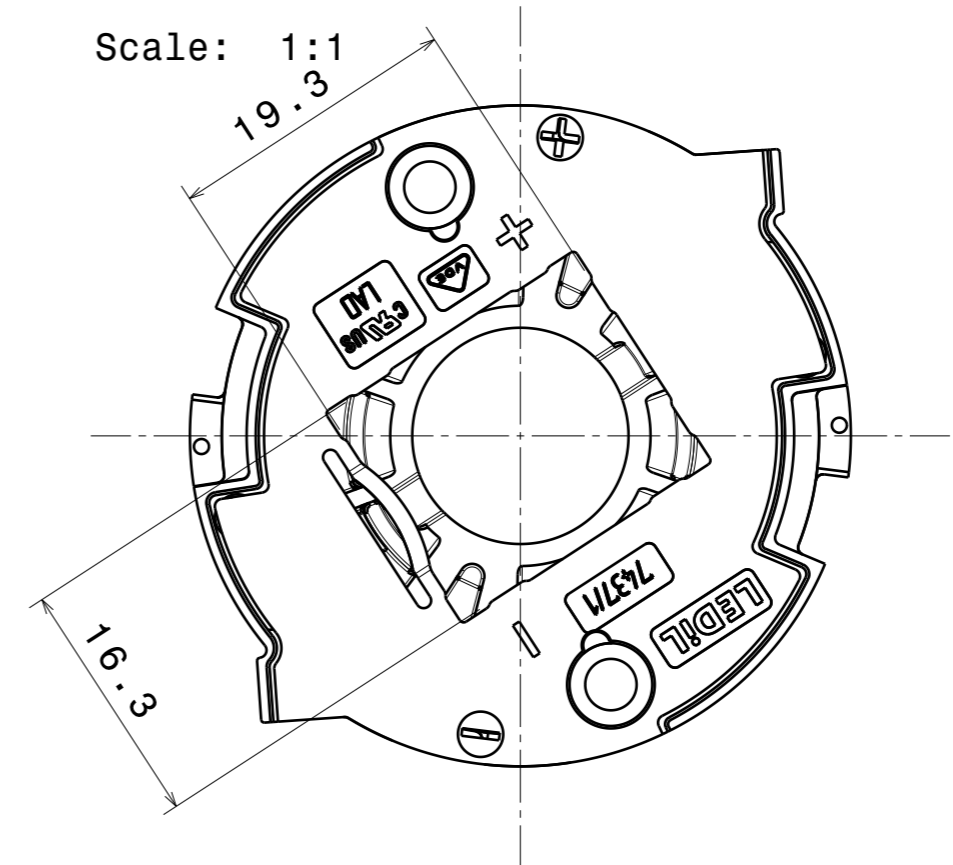


Scale: 1:1



PART	TYPE	MATERIAL	COLOR / COATING	COB size (mm)	LES (up to)
F17437_HEKLA-G2-H	Socket	PBT	White	19x16	14 mm

MECHANICAL DRAWING	
PRODUCT HEKLA-G2	
Plastic moulding general tolerances according to DIN 16901-130 and applies if not otherwise shown in the drawing. Silicone moulding general tolerances according to ISO 3302-1 Class M3 and applies if not otherwise shown in the drawing.	FIRST ANGLE PROJECTION:
SCALE 2:1 (1:1)	WEIGHT 5,8 g

LEDiL[®]

This drawing is the property of LEDiL Oy. It may not be copied or otherwise distributed without prior written permission from LEDiL Oy.

A3 SHEET 1/1

Notes

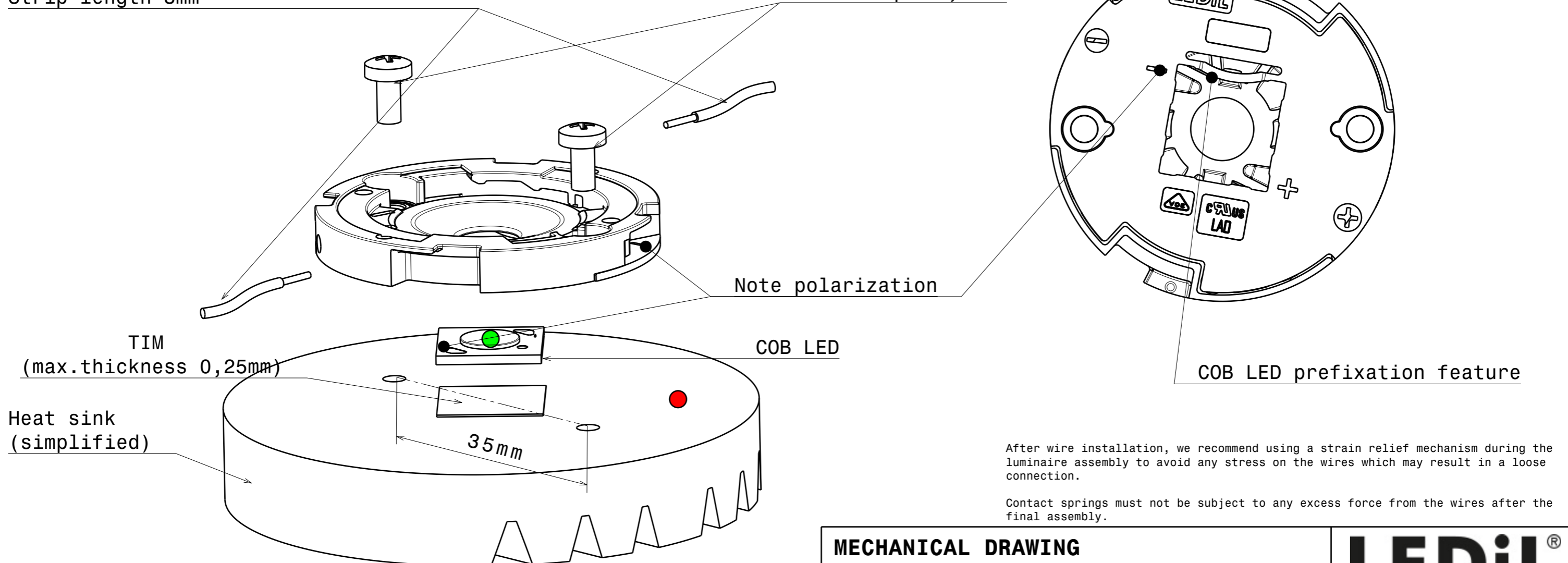
	PCB or heatsink level.
	LED location
Ensure LED fitting from a product specific 3D model available from www.ledil.com	
For more details about installation please see LEDiL Installation Guide on www.ledil.com	

GENERAL INFORMATION	
RATED VOLTAGE/CURRENT	150VDC/3A
ELECTRICAL REQUIREMENTS	IEC 60838-2-2
WIRES	AWG 20-22 (0,35-0,5 mm ²) (Solid and Tinned)
WIRE STRIP LENGTH	8 +1 mm
FASTENING	SCREWS 2XM3, WASHER 2XM3, Screw hole distance 35mm
MAX.SCREW FIXING TORQUE	0,5Nm
MAX.TIM THICKNESS	0,25mm
RATED TEMPERATURE	110°C

GENERAL ASSEMBLY INSTRUCTION

AWG 20-22
Strip length 8mm

Screws M3+Washers
(DIN125/DIN127)
Max.torque 0,5Nm



Notes

●	PCB or Heat Sink level
●	Led location
	Ensure LED fitting, see our web site and/or 3D model for part detail.

MECHANICAL DRAWING		LEDiL [®]
PRODUCT HEKLA-G2		
Tolerances if not otherwise shown According to DIN 16901-130	FIRST ANGLE PROJECTION: 	This drawing is the property of LEDiL Oy. It may not be reproduced, copied or communicated without a written agreement with LEDiL Oy.
SCALE 2:1	SIZE A3	SHEET 2/2