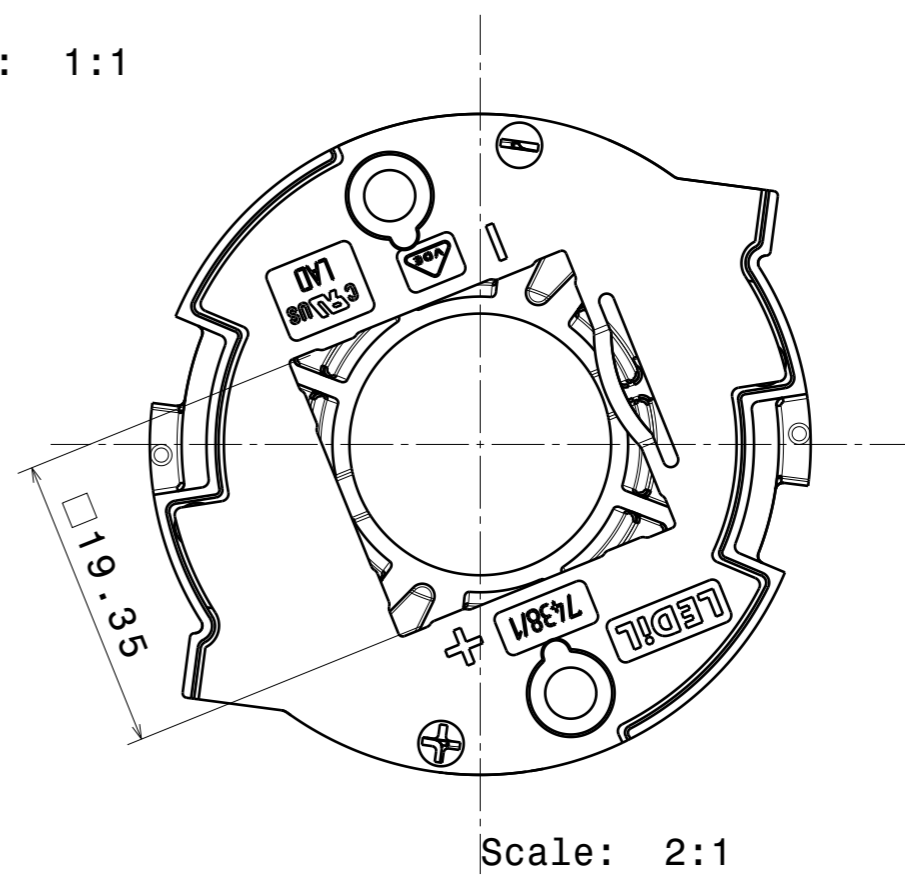


Scale: 1:1



Scale: 2:1

PART	TYPE	MATERIAL	COLOR / COATING	COB size (mm)	LES (up to)
F17438_HEKLA-G2-I	Socket	PBT	White	19x19	17 mm

<b>MECHANICAL DRAWING</b>	
PRODUCT	<b>HEKLA-G2</b>
Plastic moulding general tolerances according to DIN 16901-130 and applies if not otherwise shown in the drawing. Silicone moulding general tolerances according to ISO 3302-1 Class M3 and applies if not otherwise shown in the drawing.	FIRST ANGLE PROJECTION: 
SCALE 1:1	WEIGHT 5,45 g

**LEDiL<sup>®</sup>**

This drawing is the property of LEDiL Oy. It may not be copied or otherwise distributed without prior written permission from LEDiL Oy.

A3 SHEET 1/1

**Notes**

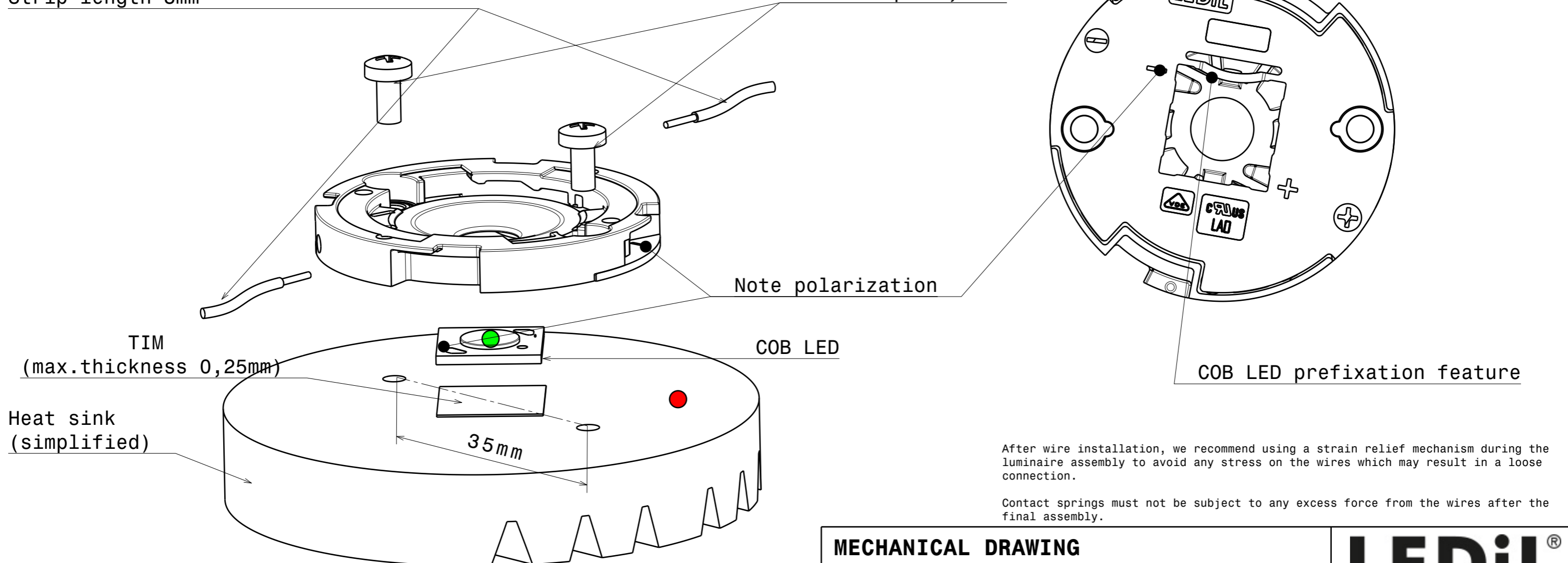
	PCB or heatsink level.
	LED location
	Ensure LED fitting from a product specific 3D model available from <a href="http://www.ledil.com">www.ledil.com</a>
	For more details about installation please see LEDiL Installation Guide on <a href="http://www.ledil.com">www.ledil.com</a>

GENERAL INFORMATION	
RATED VOLTAGE/CURRENT	150VDC/3A
ELECTRICAL REQUIREMENTS	IEC 60838-2-2
WIRES	AWG 20-22 (0,35-0,5 mm <sup>2</sup> ) (Solid and Tinned)
WIRE STRIP LENGTH	8 +1 mm
FASTENING	SCREWS 2XM3, WASHER 2XM3, Screw hole distance 35mm
MAX.SCREW FIXING TORQUE	0,5Nm
MAX.TIM THICKNESS	0,25mm
RATED TEMPERATURE	110°C

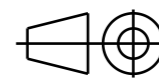
**GENERAL ASSEMBLY INSTRUCTION**

AWG 20-22  
Strip length 8mm

Screws M3+Washers  
(DIN125/DIN127)  
Max.torque 0,5Nm



- Notes**
- PCB or Heat Sink level
  - Led location
  - Ensure LED fitting, see our web site and/or 3D model for part detail.

<b>MECHANICAL DRAWING</b>		<b>LEDiL</b> <sup>®</sup>
PRODUCT HEKLA-G2		
Tolerances if not otherwise shown According to DIN 16901-130	FIRST ANGLE PROJECTION: 	This drawing is the property of LEDiL Oy. It may not be reproduced, copied or communicated without a written agreement with LEDiL Oy.
SCALE 2:1	SIZE A3	SHEET 2/2