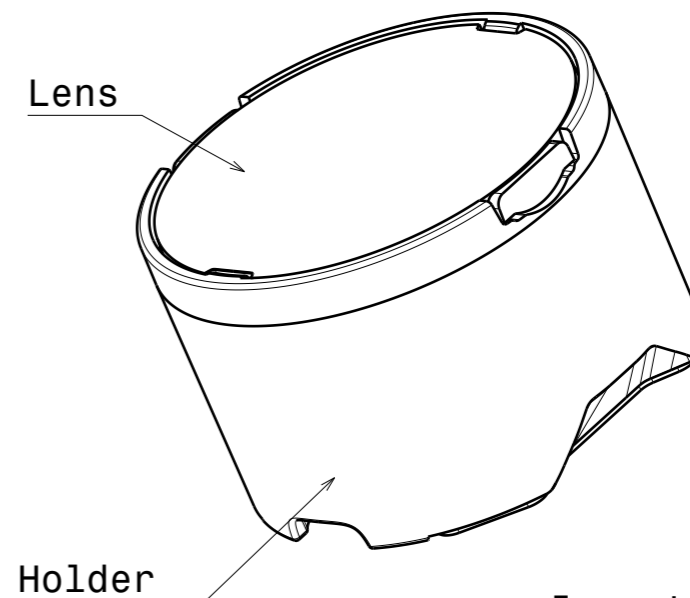
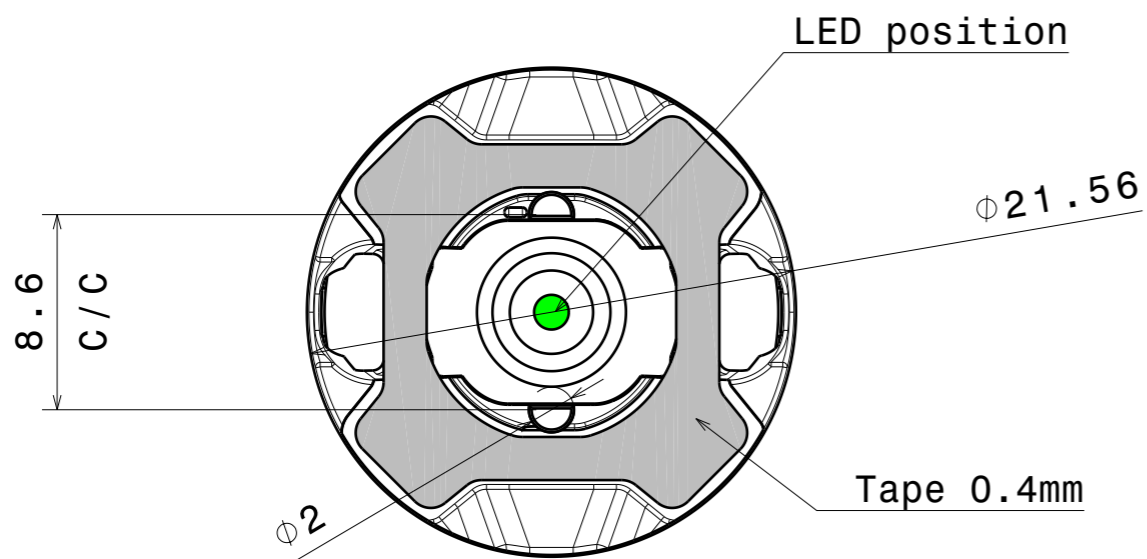


Front view
Scale: 3:1



Isometric view
Scale: 3:1



Bottom view
Scale: 3:1

PART	TYPE	MATERIAL	COLOR / COATING
C12261_LR2-LH1-WHT	holder	PC	white
Leila lens	lens	PMMA	clear

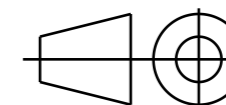
MECHANICAL DRAWING

PRODUCT
Leila LR2 series

LEDiL®

Tolerances if not otherwise shown
According to DIN ISO 2768-1
Linear measures: Up to 30mm
class M, otherwise class C.
According to DIN ISO 2768-2
Form and position: class L

FIRST ANGLE PROJECTION:



This drawing is the property of LEDiL Oy. It may not be reproduced, copied or communicated without a written agreement with LEDiL Oy.

SCALE 3:1

WEIGHT 8,6 g

A3 SHEET 1/1

Notes

1	PCB or heatsink level.
2	LED location.
3	Ensure LED fitting from a product specific 3D model available from www.ledil.com .
4	See installation details in page 2.