

P O N M L K J I H G F E D C B A

8

7

6

5

4

3

2

1

8

7

6

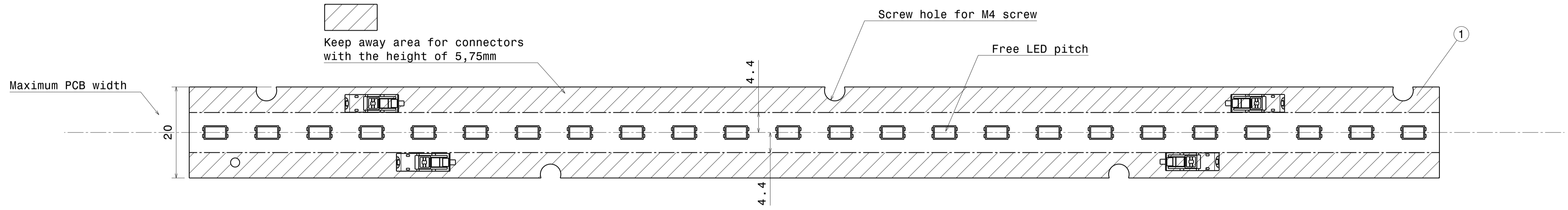
5

4

3

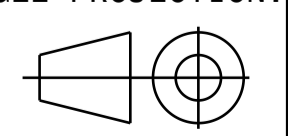
2

1



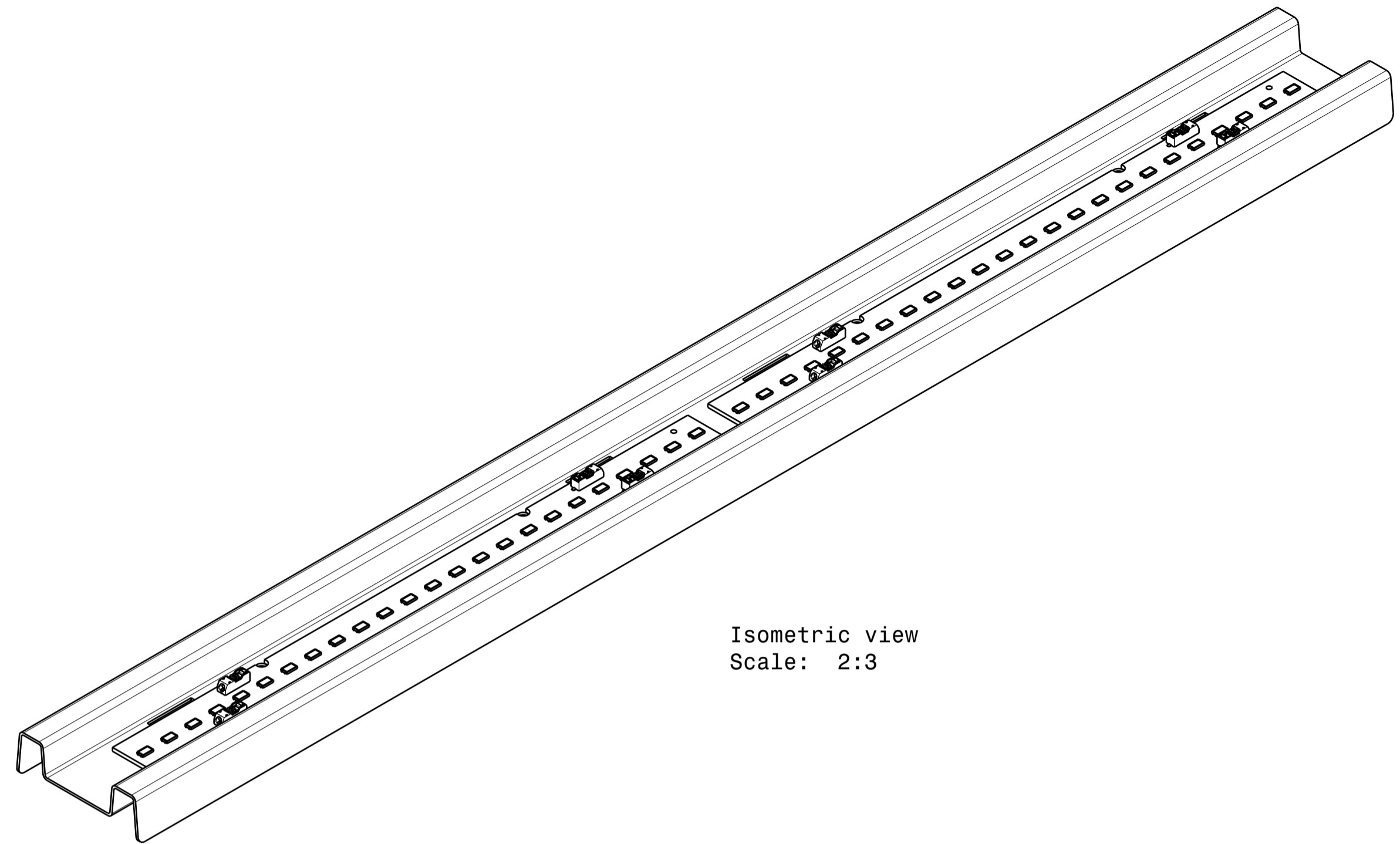
C16507\_LILIAN-ON\_interface drawing  
COMPONENTS

INDEX	PART
1	Profile example

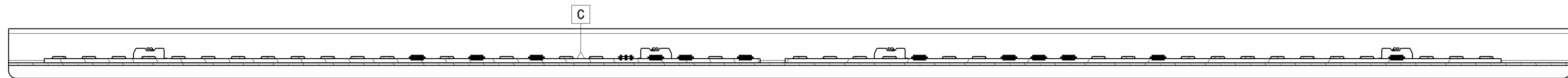
<b>MECHANICAL DRAWING</b>		<b>LEDiL</b> <sup>®</sup>
PRODUCT	LILIAN	
<small>Plastic moulding general tolerances according to DIN 16901-130 and applies if not otherwise shown in the drawing. Silicone moulding general tolerances according to ISO 3302-1 Class M3 and applies if not otherwise shown in the drawing.</small>	<b>FIRST ANGLE PROJECTION:</b> 	<small>This drawing is the property of LEDiL Oy. It may not be copied or otherwise distributed without prior written permission from LEDiL Oy.</small>
SCALE	1:1	WEIGHT - A1 SHEET 1/1

**Notes**  
 Ensure LED fitting from a product specific 3D model available from [www.ledil.com](http://www.ledil.com)  
 For more details about installation please see LEDiL Installation Guide on [www.ledil.com](http://www.ledil.com)

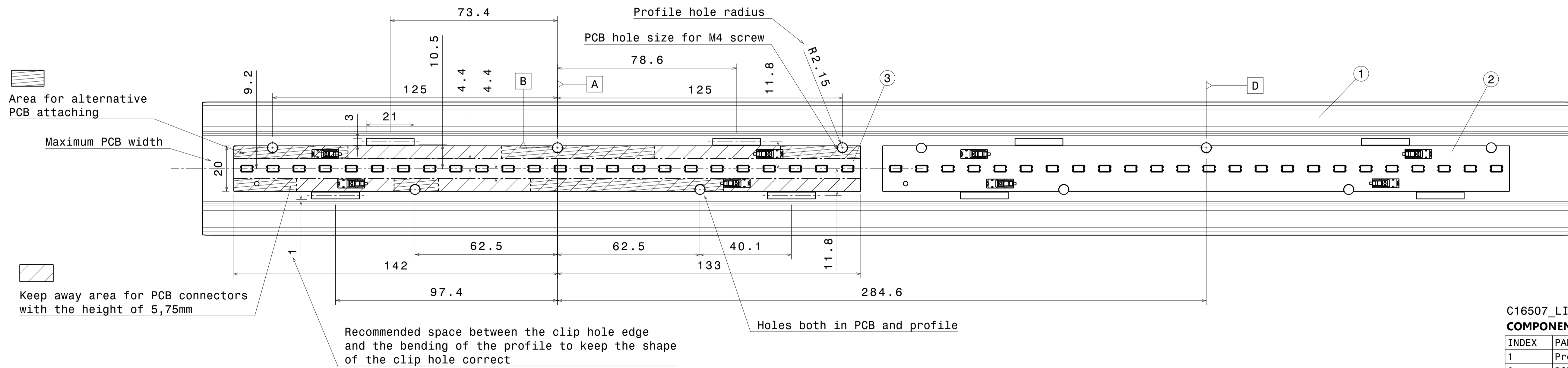
P O N M L K J I H G F E D C B A



Isometric view  
Scale: 2:3



Section view A-A  
Scale: 1:1



C16507\_LILIAN-ON\_interface drawing

COMPONENTS	
INDEX	PART
1	Profile example
2	PCB example
3	PCB example

<b>MECHANICAL DRAWING</b>		<b>LEDiL</b> <sup>®</sup>
PRODUCT LILIAN		
Plastic moulding general tolerances according to DIN 16901-130 and applies if not otherwise shown in the drawing. Silicone moulding general tolerances according to ISO 3302-1 Class M3 and applies if not otherwise shown in the drawing.		FIRST ANGLE PROJECTION: 
SCALE 1:1	WEIGHT -	A1 SHEET 1/1

**Notes**  
Ensure LED fitting from a product specific 3D model available from [www.ledil.com](http://www.ledil.com)  
For more details about installation please see LEDiL Installation Guide on [www.ledil.com](http://www.ledil.com)