

PART	TYPE	MATERIAL	COLOR / COATING
F17602_LINDA-40-ZT25_mechanical_		PMMA DF21	

MECHANICAL DRAWING
PRODUCT LINDA-40



FIRST ANGLE PROJECTION:

This drawing is the property of LEDiL Oy. It may not be copied or otherwise distributed without prior written permission from LEDiL Oy.

SCALE	1:1	WEIGHT	-	A3	SHEET 1/1
-------	-----	--------	---	----	-----------

Notes

	PCB or heatsink level.
	LED location
	Ensure LED fitting from a product specific 3D model available from www.ledil.com
	For more details about installation please see LEDiL Installation Guide on www.ledil.com

H

G

F

E

D

C

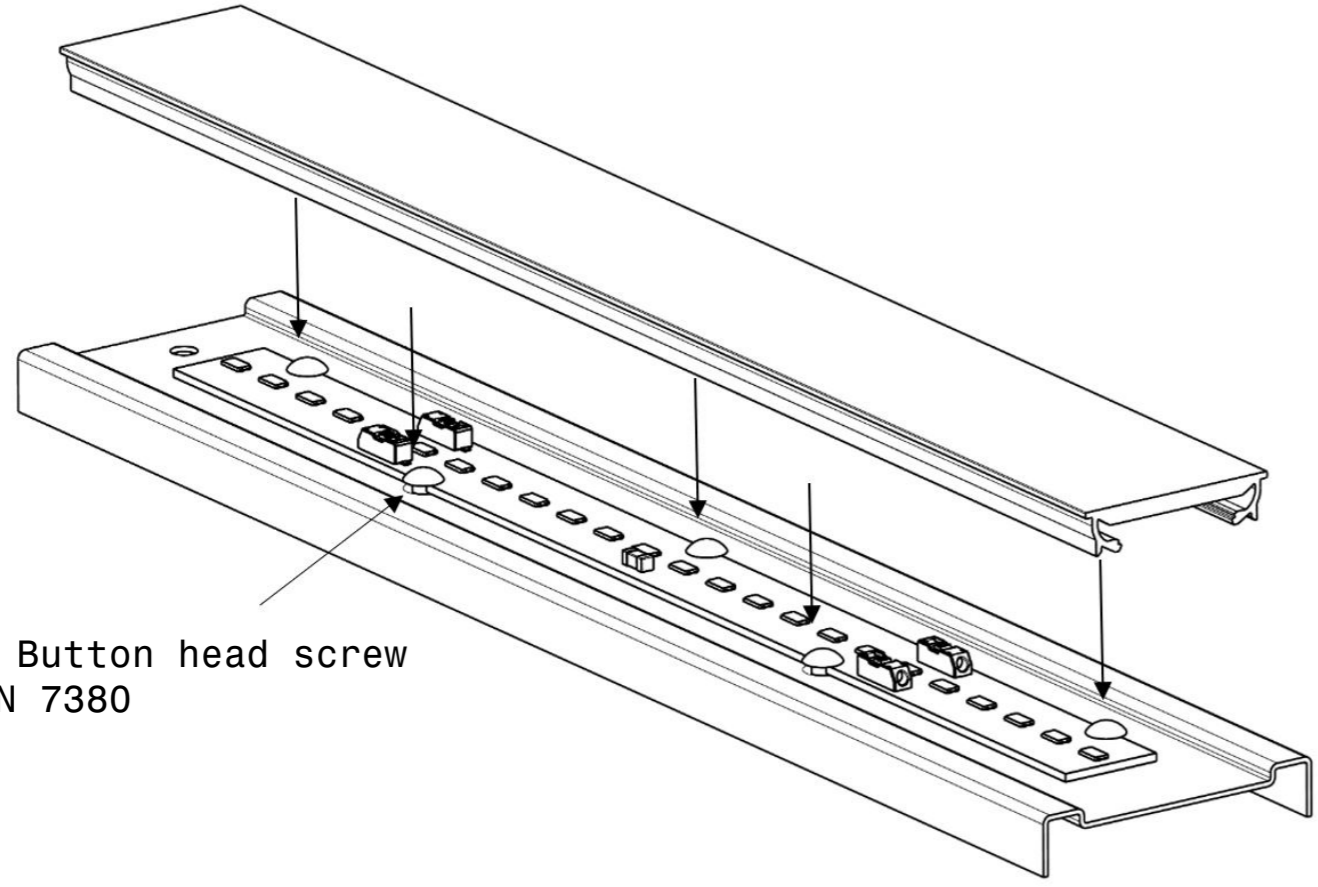
B

A

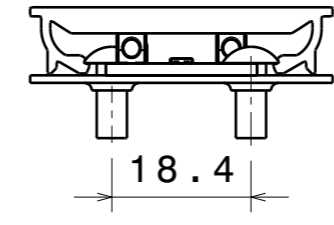
DATE
18.11.2021

Assembly instructions LINDA-40 family

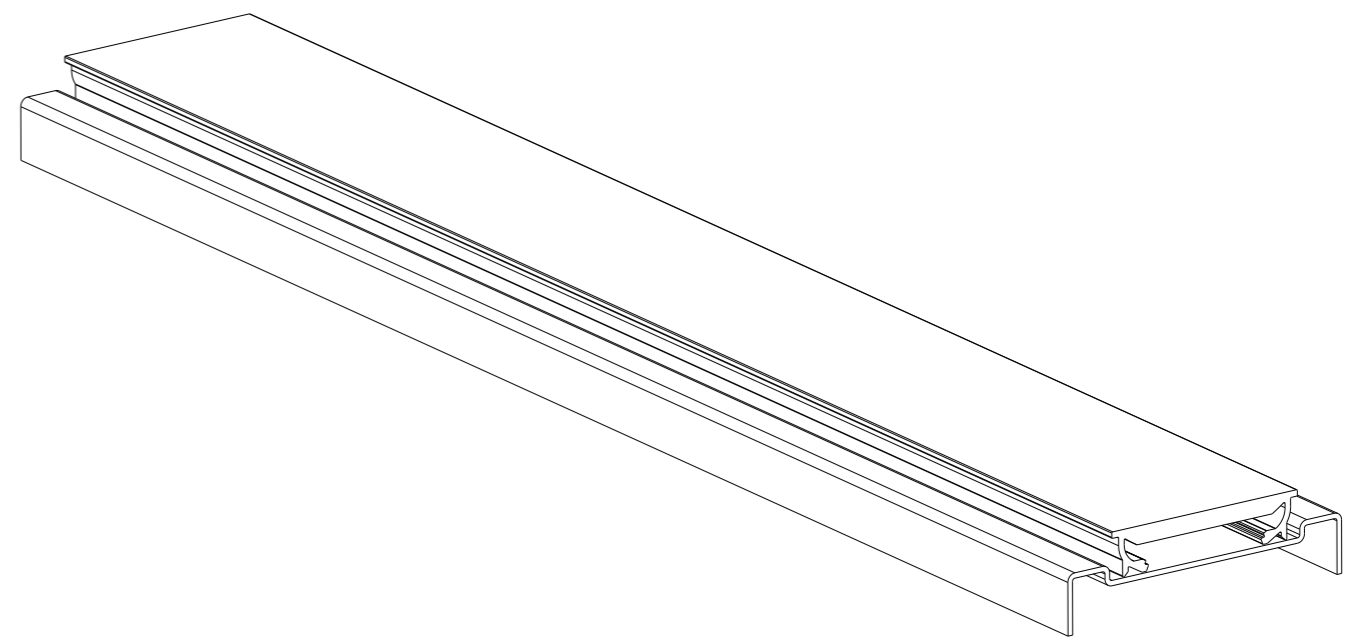
The lens is held in place by snapping to the PCB fixing screws. Snap the lens in place.



M4 Button head screw
DIN 7380



Finished assembly.



4

3

2

1

4

3

2

1

H

G

B

A