

## LINDA-10-O

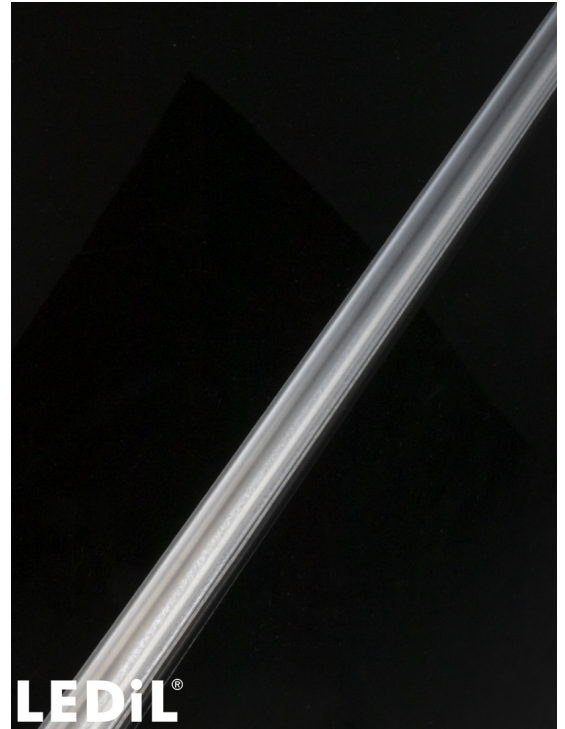
~35° + 85° oval beam

### SPECIFICATION:

Dimensions	12.5 x 1140.0 mm
Height	7.2 mm
ROHS compliant	yes ⓘ

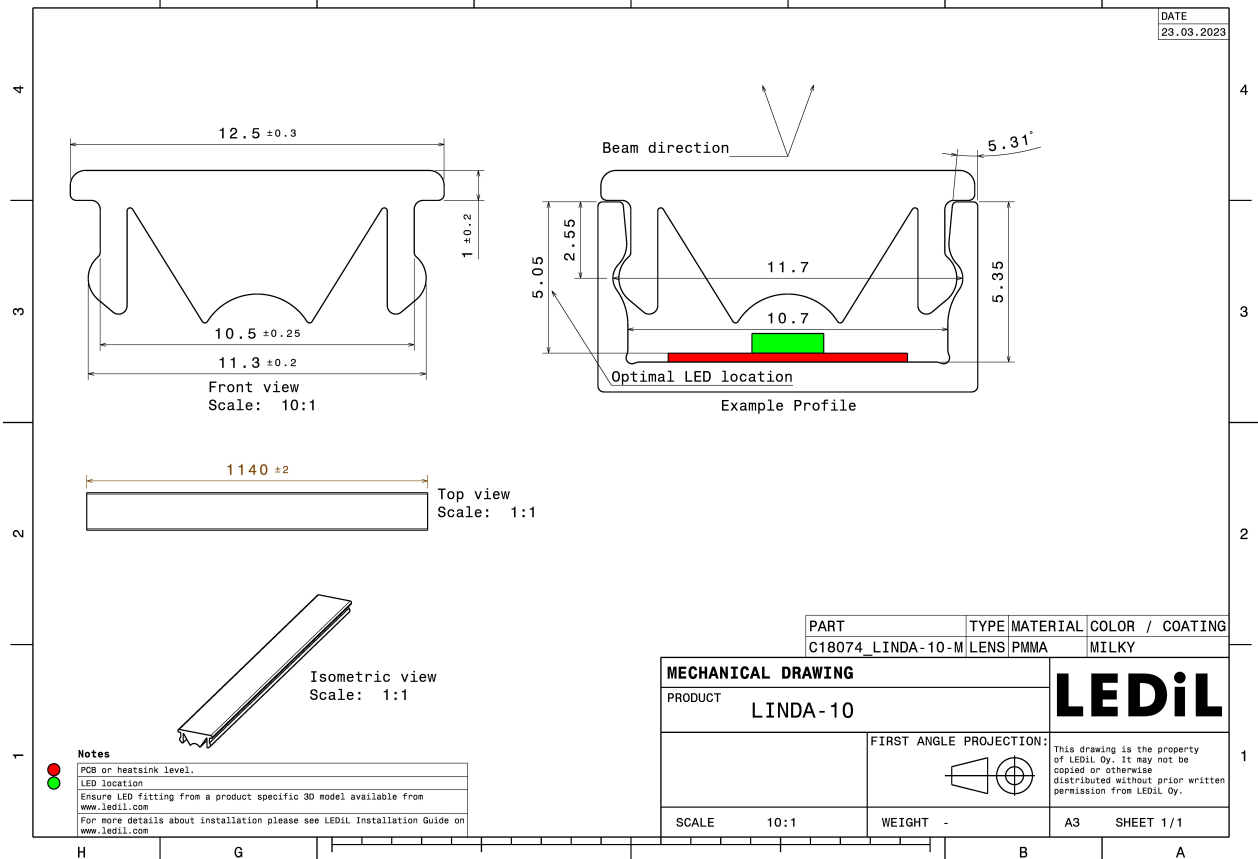
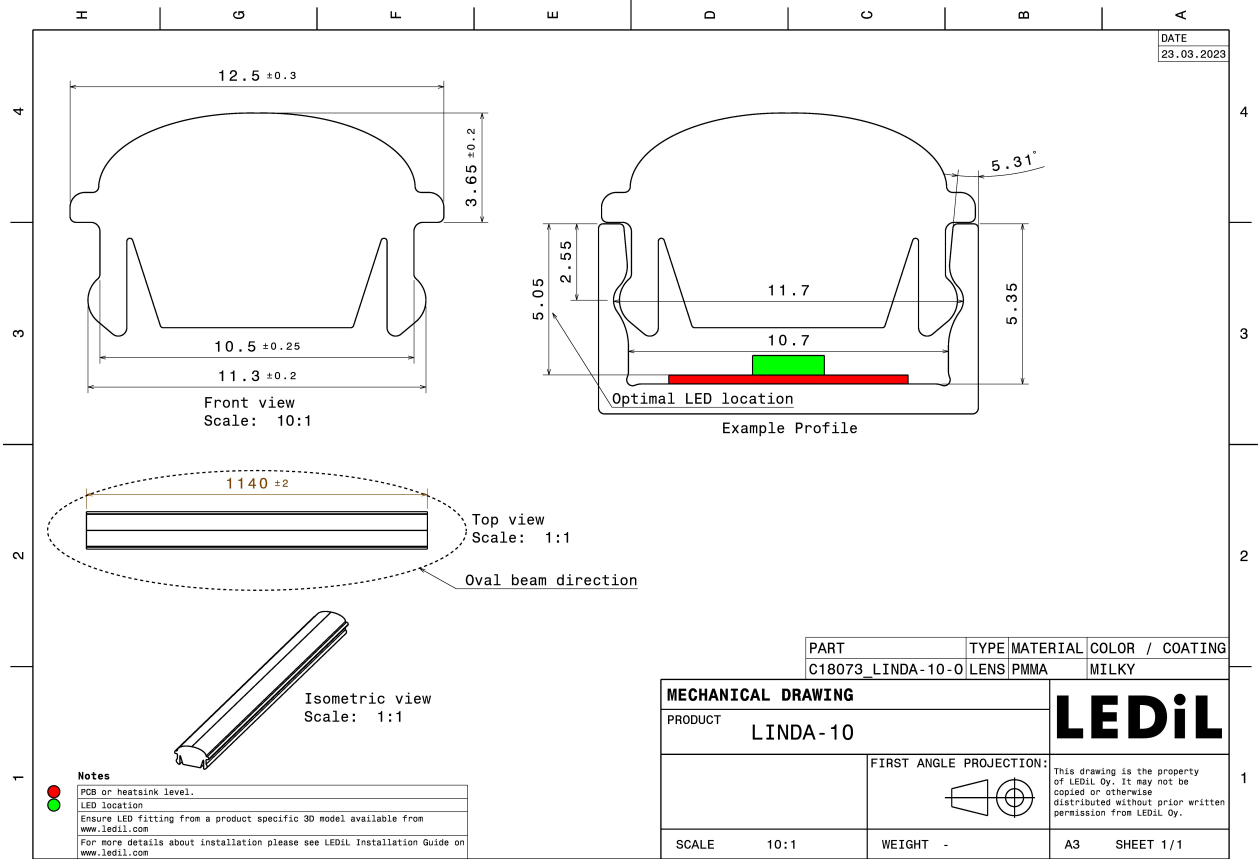
### MATERIALS:

Component	Type	Material	Colour	Finish
LINDA-10-O	Linear lens	PMMA		

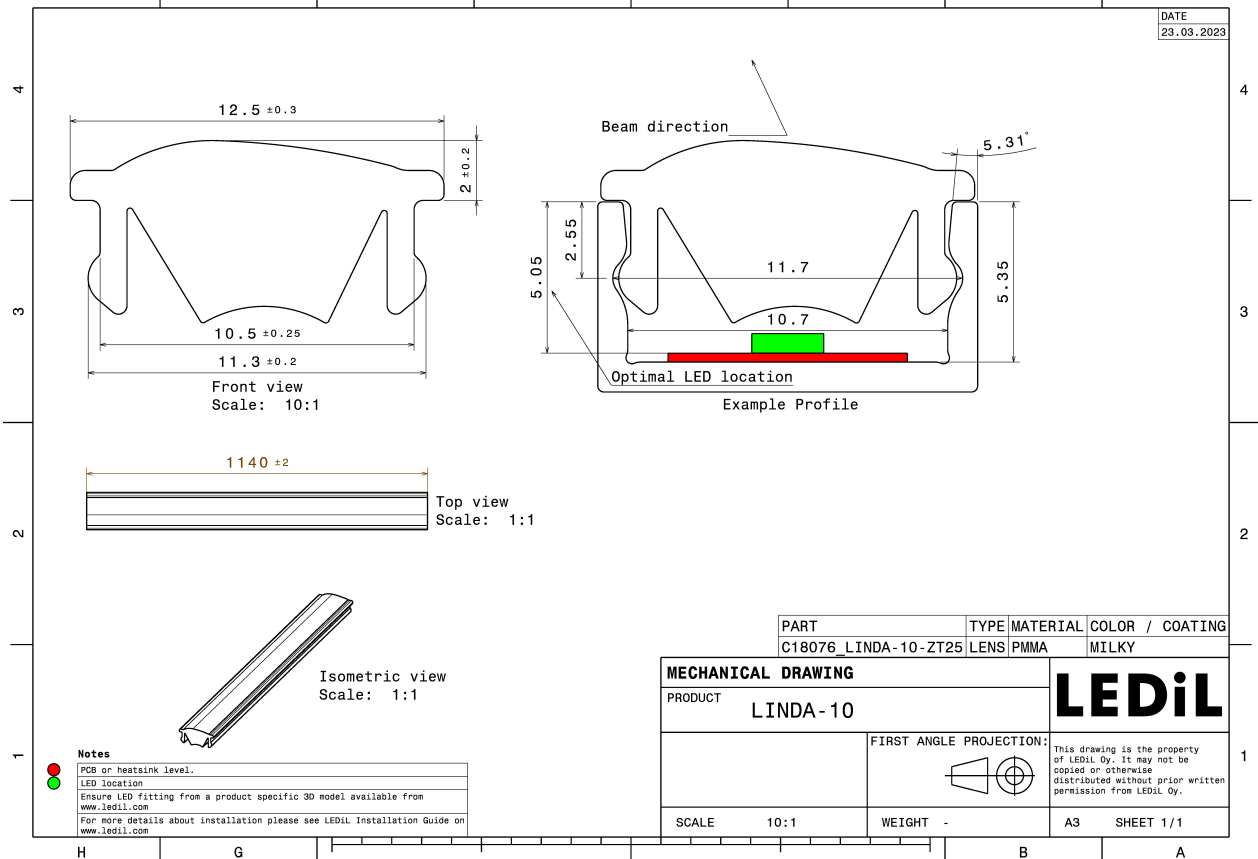
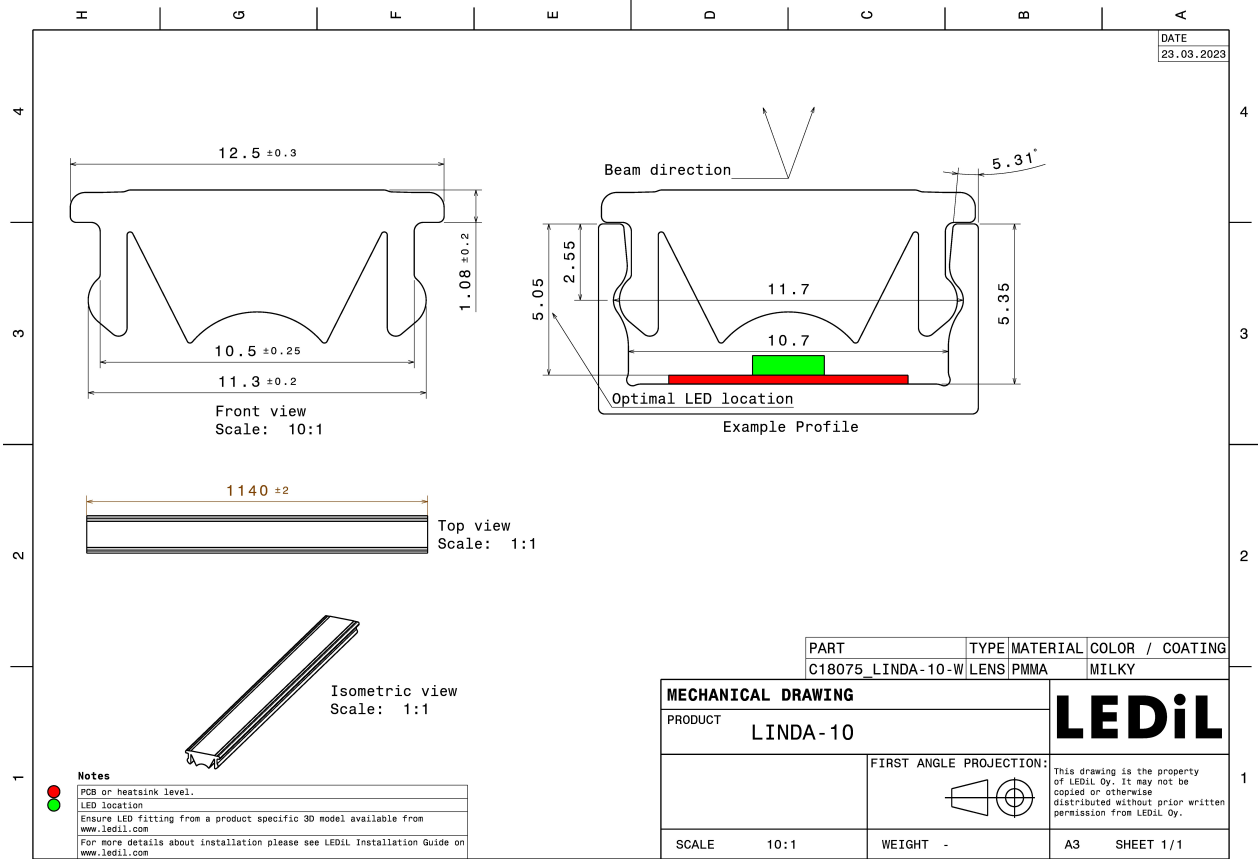


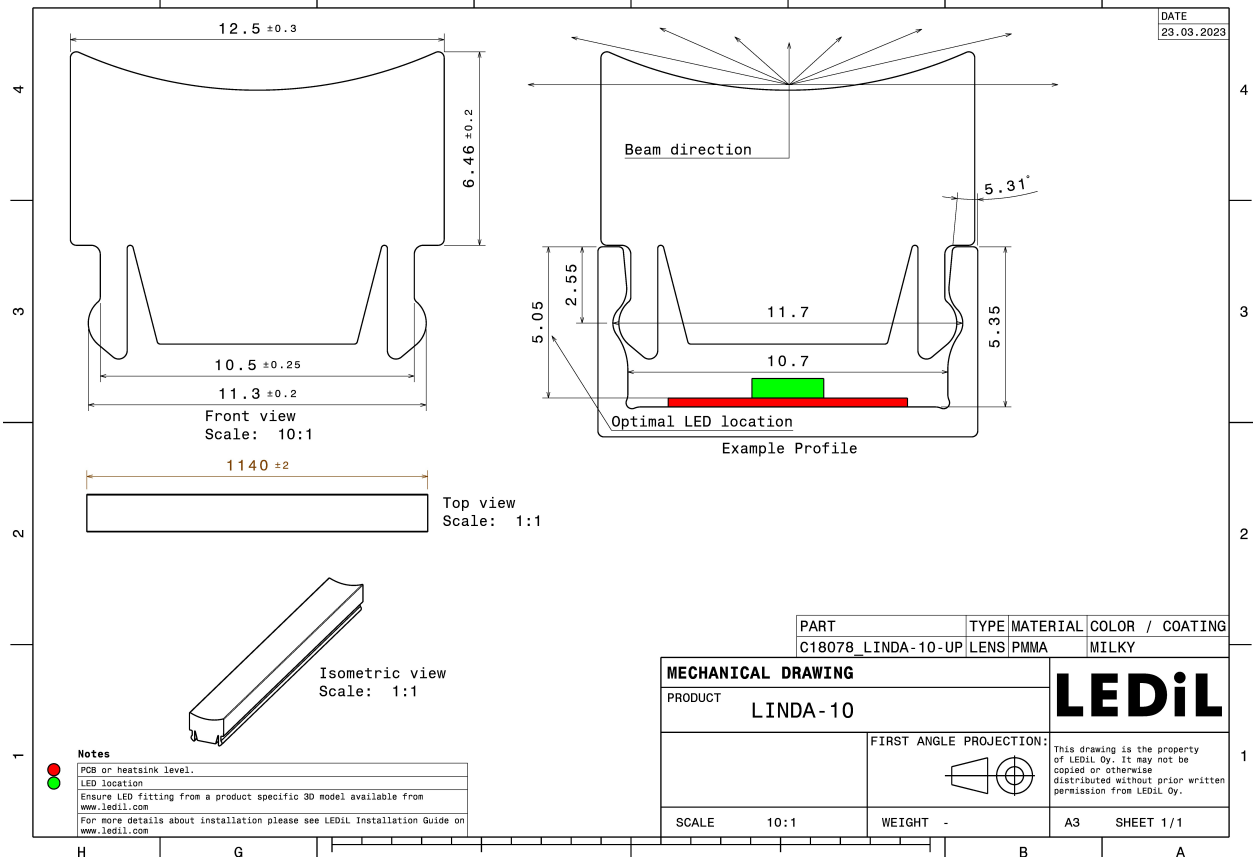
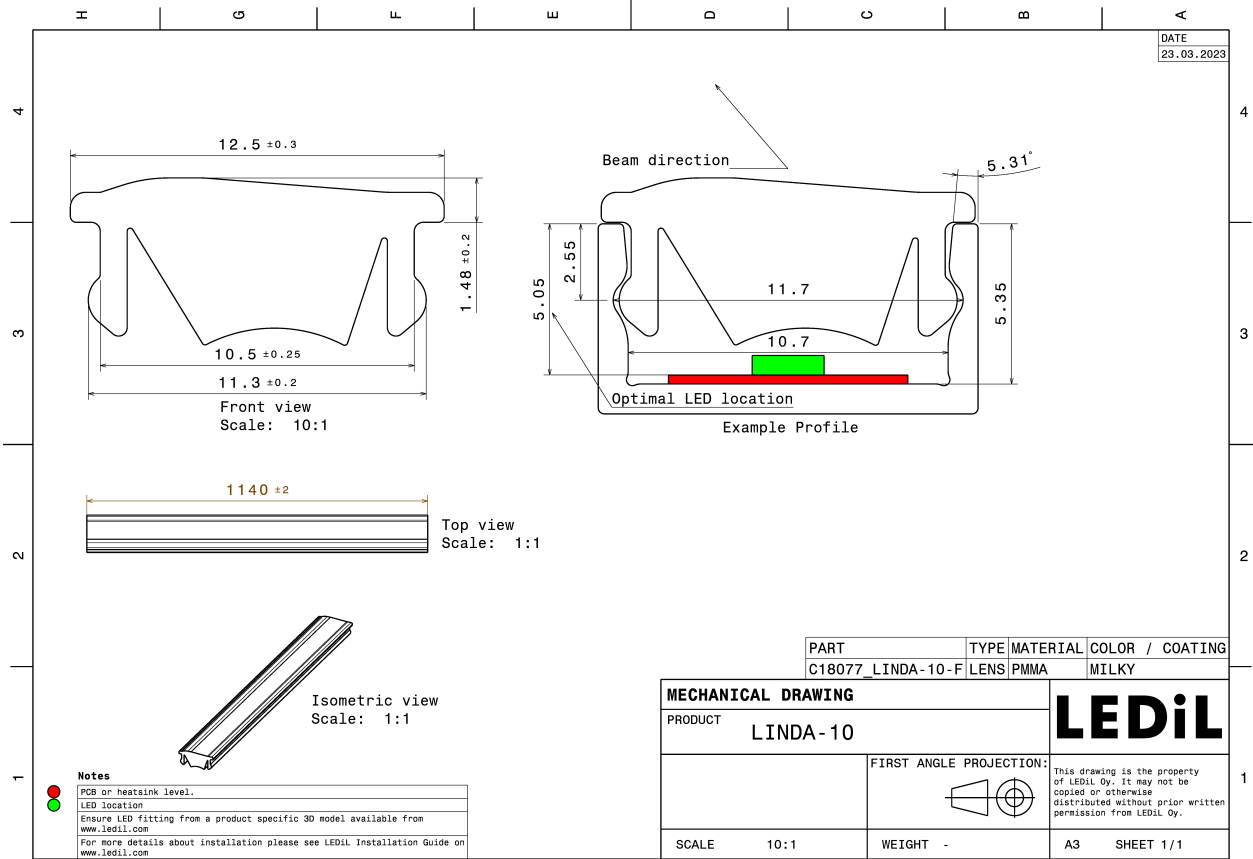
### ORDERING INFORMATION:

Component	Qty in box	MOQ	MPQ	Box weight (kg)
C18073_LINDA-10-O » Box size: 1185 x 150 x 80 mm	110	110	110	9.2



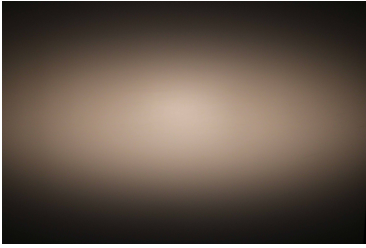
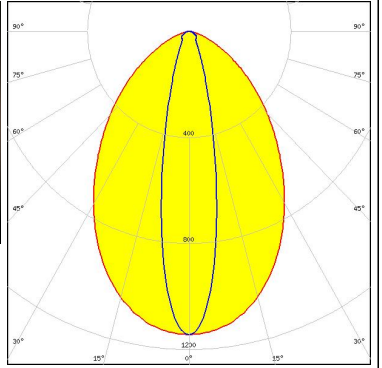
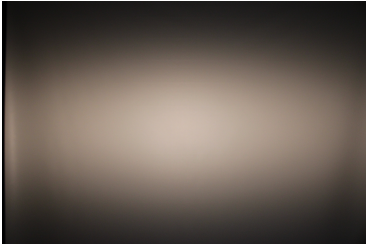
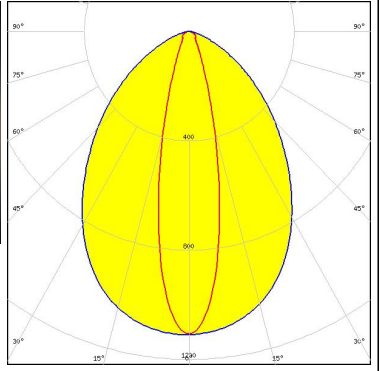
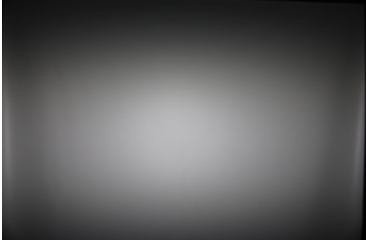
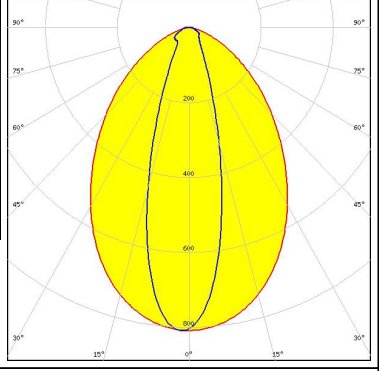

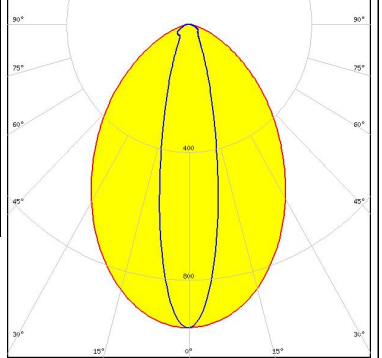





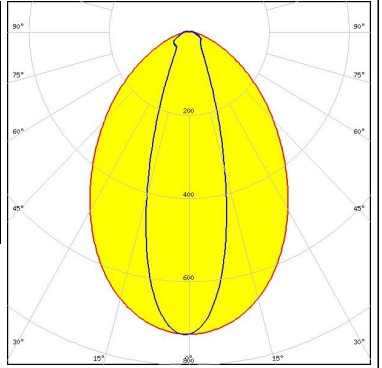
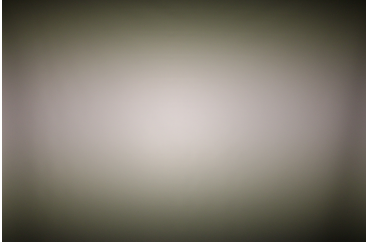
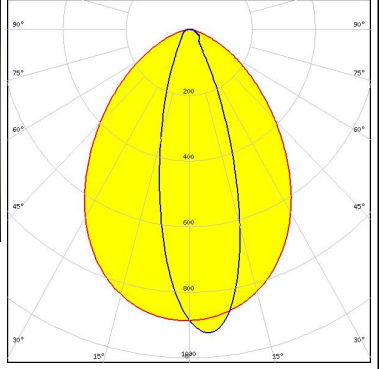
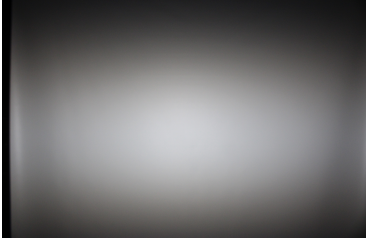
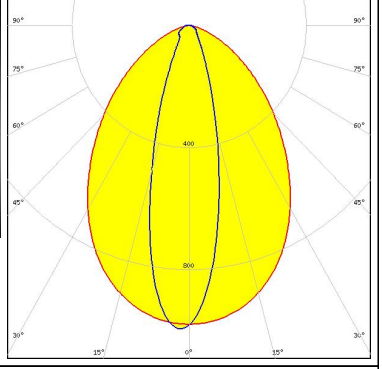
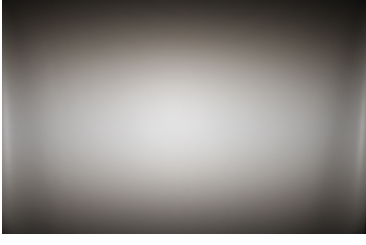
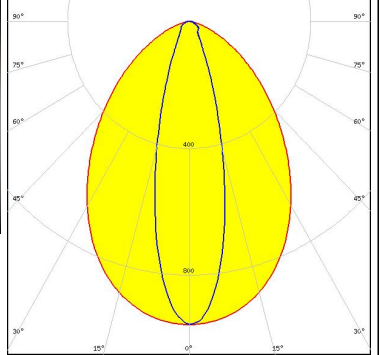


See also our general installation guide: [www.ledil.com/installation\\_guide](http://www.ledil.com/installation_guide)

#### OPTICAL RESULTS (MEASURED):

<p><b>LUMILEDS</b></p> <p>LED LUXEON 3014</p> <p>FWHM / FWTM 76.0 + 22.0° / 131.0 + 49.0°</p> <p>Efficiency 79 %</p> <p>Peak intensity 1.1 cd/lm</p> <p>LEDs/each optic 1</p> <p>Light colour White</p> <p>Required components:</p>		
<p><b>LUMILEDS</b></p> <p>LED LUXEON 3014</p> <p>FWHM / FWTM 23.0 + 83.0° / 50.0 + 134.0°</p> <p>Efficiency 81 %</p> <p>Peak intensity 1.2 cd/lm</p> <p>LEDs/each optic 1</p> <p>Light colour White</p> <p>Required components:</p>		
<p><b>LUMILEDS</b></p> <p>LED LUXEON 3030 2D (Round LES)</p> <p>FWHM / FWTM 79.0 + 29.0° / 134.0 + 60.0°</p> <p>Efficiency 73 %</p> <p>Peak intensity 0.8 cd/lm</p> <p>LEDs/each optic 1</p> <p>Light colour White</p> <p>Required components:</p>		
<p><b>LUMINUS</b></p> <p>LED MP-2016</p> <p>FWHM / FWTM 79.0 + 23.0° / 133.5 + 54.5°</p> <p>Efficiency 73 %</p> <p>Peak intensity 1 cd/lm</p> <p>LEDs/each optic 1</p> <p>Light colour White</p> <p>Required components:</p>		

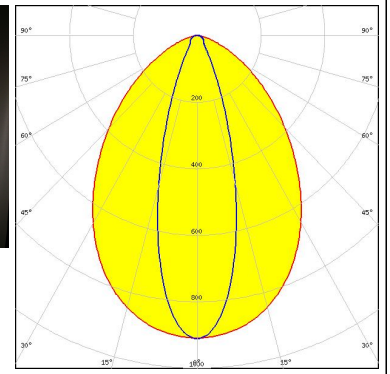
#### OPTICAL RESULTS (MEASURED):

<p><b>NICHIA</b></p> <p>LED NF2x757G</p> <p>FWHM / FWTM 80.0 + 31.0° / 135.0 + 63.0°</p> <p>Efficiency 69 %</p> <p>Peak intensity 0.7 cd/lm</p> <p>LEDs/each optic 1</p> <p>Light colour White</p> <p>Required components:</p>		
<p><b>NICHIA</b></p> <p>LED NFSW757H</p> <p>FWHM / FWTM 84.0 + 30.0° / 136.0 + 61.0°</p> <p>Efficiency 84 %</p> <p>Peak intensity 0.9 cd/lm</p> <p>LEDs/each optic 1</p> <p>Light colour White</p> <p>Required components:</p>		
<p><b>OSRAM</b> Opto Semiconductors</p> <p>LED Duris S5 (Single chip)</p> <p>FWHM / FWTM 81.0 + 27.0° / 134.0 + 57.0°</p> <p>Efficiency 83 %</p> <p>Peak intensity 1 cd/lm</p> <p>LEDs/each optic 1</p> <p>Light colour White</p> <p>Required components:</p>		
<p><b>SEOUL SEMICONDUCTOR</b></p> <p>LED SEOUL 3030</p> <p>FWHM / FWTM 81.0 + 28.0° / 135.0 + 57.0°</p> <p>Efficiency 80 %</p> <p>Peak intensity 1 cd/lm</p> <p>LEDs/each optic 1</p> <p>Light colour White</p> <p>Required components:</p>		

### OPTICAL RESULTS (MEASURED):

#### TRIDONIC

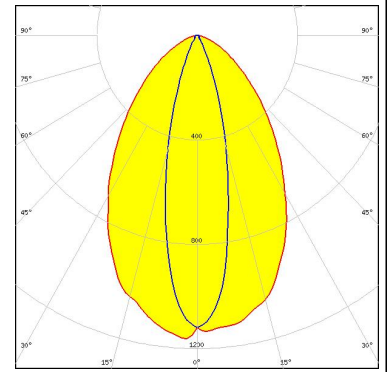
LED LLE FLEX 8mm EXC3  
FWHM / FWTM 82.0 + 29.0° / 135.0 + 58.0°  
Efficiency 80 %  
Peak intensity 0.9 cd/lm  
LEDs/each optic 1  
Light colour White  
Required components:



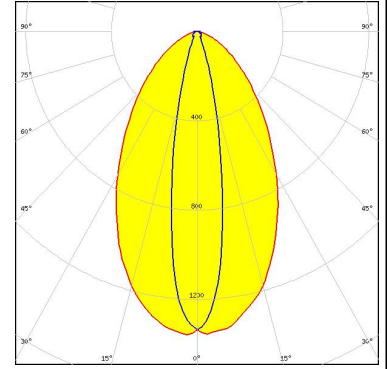
### OPTICAL RESULTS (SIMULATED):



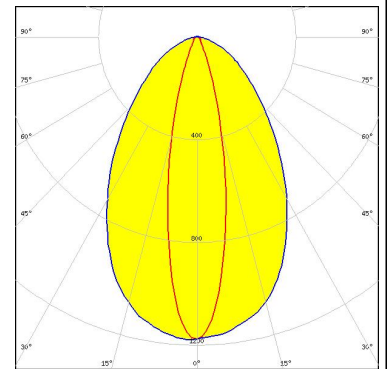
LED J Series 2835  
FWHM / FWTM 70.0 + 26.0° / 125.0 + 50.0°  
Efficiency 80 %  
Peak intensity 1.2 cd/lm  
LEDs/each optic 1  
Light colour White  
Required components:



LED NCSxE17A  
FWHM / FWTM 64.0 + 20.0° / 122.0 + 40.0°  
Efficiency 80 %  
Peak intensity 1.4 cd/lm  
LEDs/each optic 1  
Light colour White  
Required components:



LED LM28xB Series  
FWHM / FWTM 22.0 + 70.0° / 46.0 + 131.0°  
Efficiency 80 %  
Peak intensity 1.2 cd/lm  
LEDs/each optic 1  
Light colour White  
Required components:



### GENERAL INFORMATION:

NOTE: The typical beam angle will be changed by different color, chip size and chip position tolerance. The typical total beam angle is the full angle measured where the luminous intensity is half of the peak value.

### MATERIALS:

As part of our continuous research and improvement processes, and to ensure the best possible quality and availability of our products, LEDiL reserves the right to change material grades without notice.

### PRODUCT DATA USER AGREEMENT AND DISCLAIMER:

The measured data in the provided downloadable LEDiL Product Datasheets and Mechanical 2D-Drawings is rounded and provided as reference for planning. LEDiL Oy's optical specifications have been verified by conducting performance testing of the products in accordance with the company's quality system. The reported data are averaged results of multiple measurements with typical variation. LEDiL Oy reserves the right to without prior notification make changes and improvements to its products.

LEDiL Oy assumes neither warranty, nor guarantee nor any other liability of any kind for the contents and correctness of the provided data. The provided data has been generated with highest diligence but the provided data may in reality not represent the complete possible variation range of all intrinsic parameters. Therefore, in certain cases a deviation from the provided data could occur.

LEDiL Oy reserves the right to undertake technical changes of its products without further notification which could lead to changes in the provided data. LEDiL Oy assumes no liability of any kind for the possible deviation from any provided data or any other damage resulting from the usage of the provided data.

The user agrees to this disclaimer and user agreement with the download or usage of the provided files.

#### LEDiL Oy

Joensuunkatu 13  
FI-24240 SALO  
Finland

#### LEDiL Inc.

228 West Page Street  
Suite D  
Sycamore IL 60178  
USA

#### Ledil Optics Technology (Shenzhen) Co., Ltd.

# 405 , Block B  
Casic Motor Building  
Shenzhen 518057  
P.R.CHINA

#### Local sales and technical support

[www.ledil.com/  
where\\_to\\_buy](http://www.ledil.com/where_to_buy)

#### Shipping locations

Salo, Finland  
Hong Kong, China

#### Distribution Partners

[www.ledil.com/  
where\\_to\\_buy](http://www.ledil.com/where_to_buy)