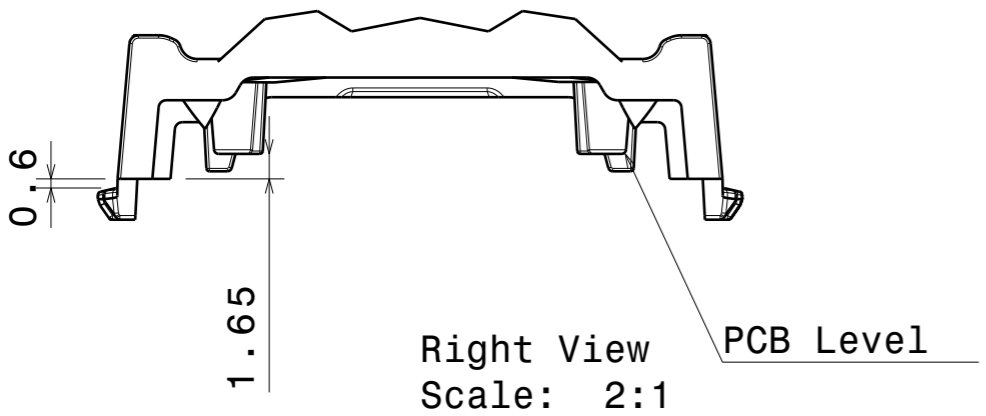
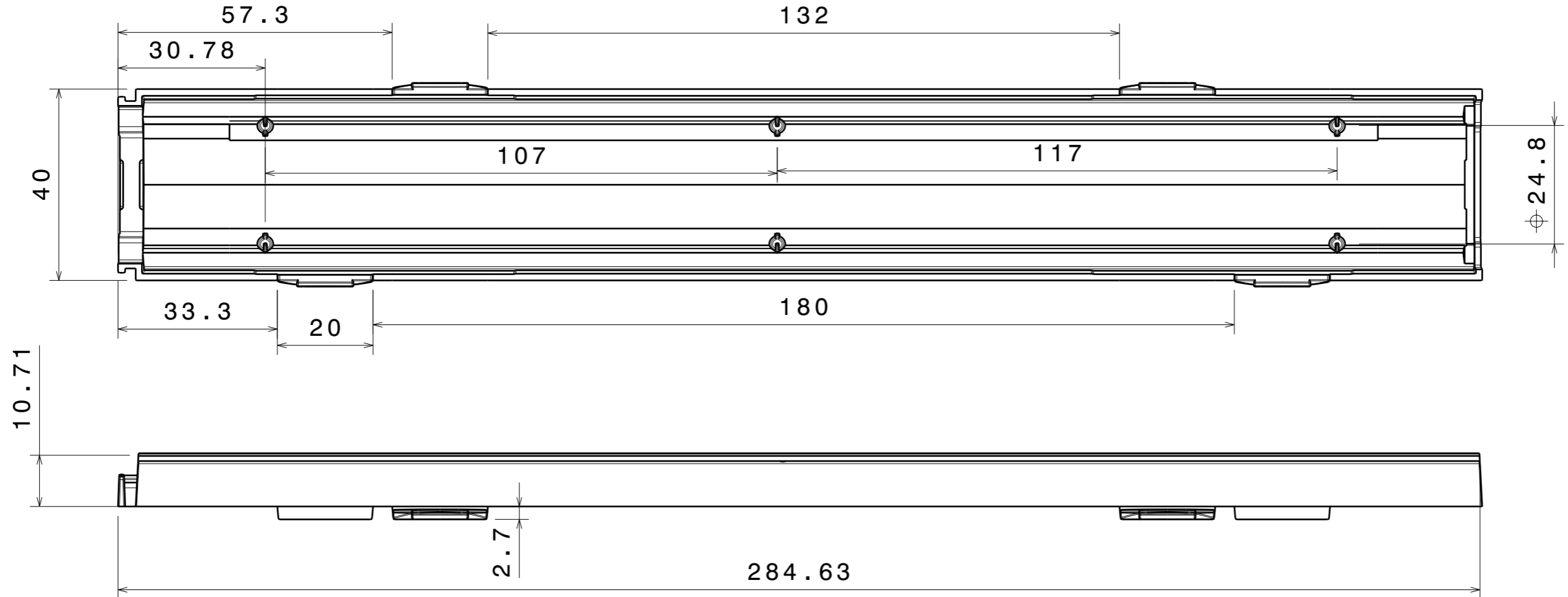


DATE
22.12.2021



| PART | TYPE | MATERIAL | COLOR / COATING |
|--------------------|------|----------|-----------------|
| F15941_LINNEA-60-B | | PC | clear |

| | | |
|---|-----------------------------|---|
| MECHANICAL DRAWING | | LEDiL[®] |
| PRODUCT LINNEA | | |
| Plastic moulding general tolerances according to DIN 16901-130 and applies if not otherwise shown in the drawing. Silicone moulding general tolerances according to ISO 3302-1 Class M3 and applies if not otherwise shown in the drawing. | FIRST ANGLE PROJECTION: | This drawing is the property of LEDiL Oy. It may not be copied or otherwise distributed without prior written permission from LEDiL Oy. |
| SCALE 1:1 | WEIGHT 42 g | A3 SHEET 1/1 |

Notes

| | |
|--|---|
| | PCB or heatsink level. |
| | LED location |
| | Ensure LED fitting from a product specific 3D model available from www.ledil.com |
| | For more details about installation please see LEDiL Installation Guide on www.ledil.com |

H G F E D C B A