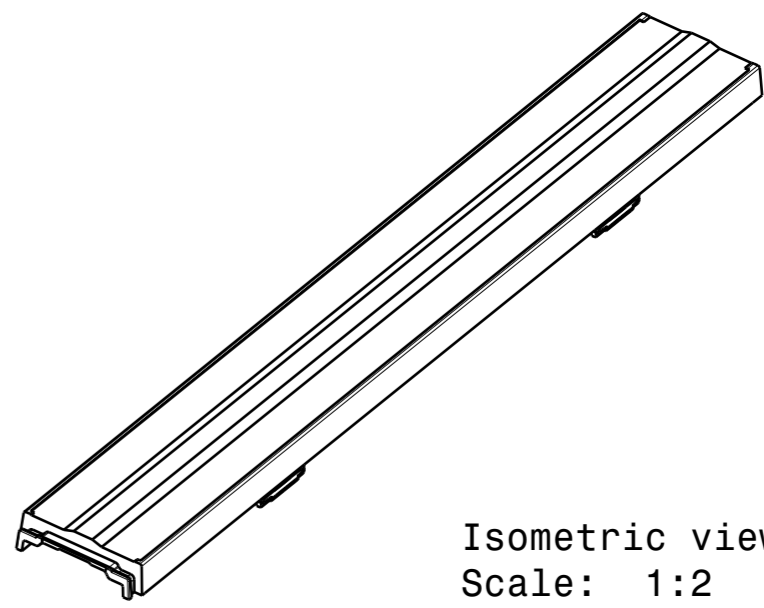
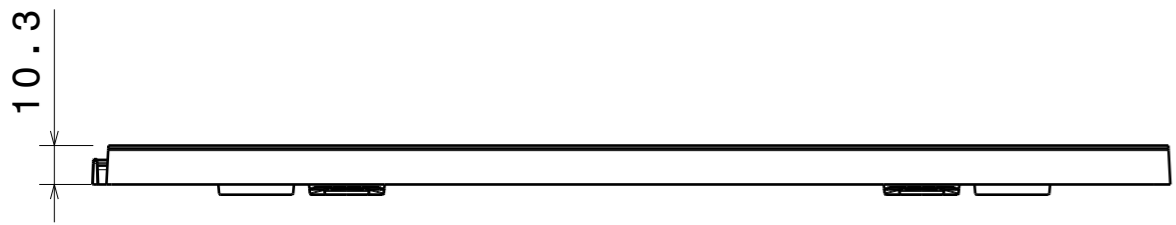


H G F E D C B A

4

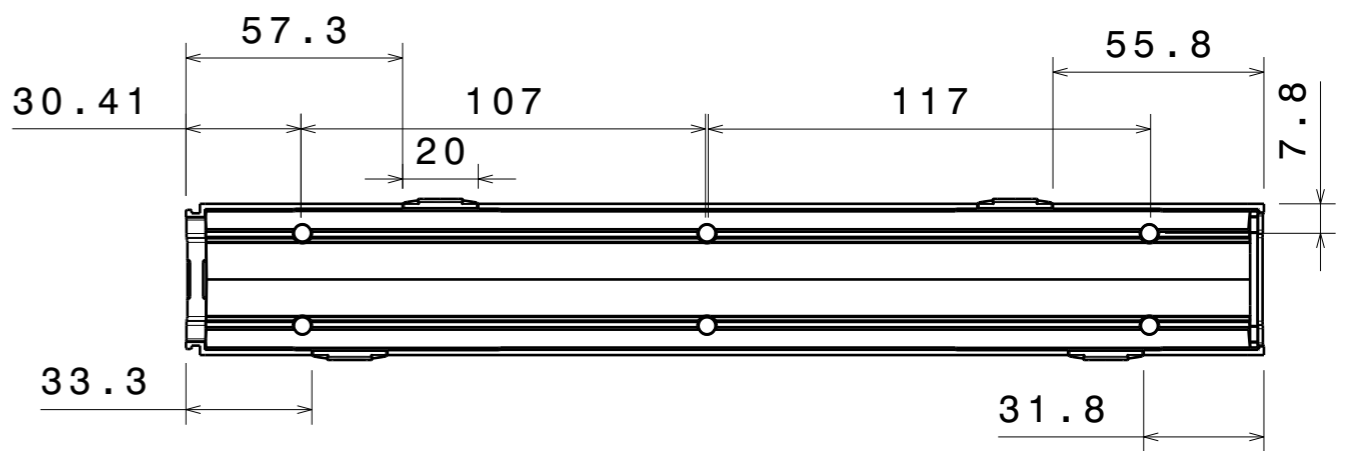
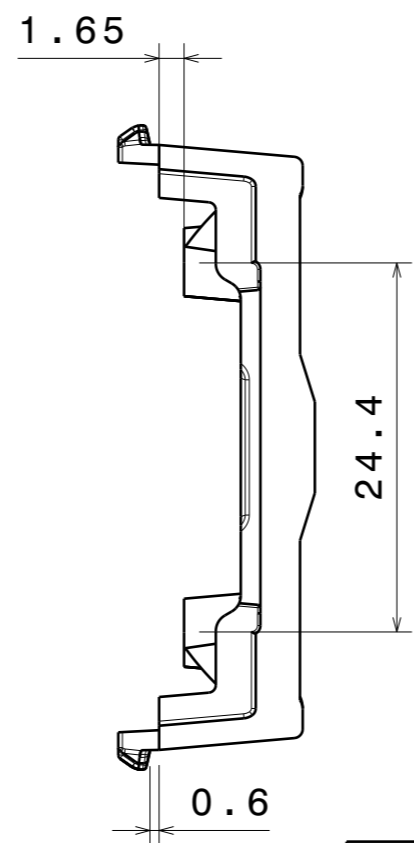
4



Isometric view
Scale: 1:2

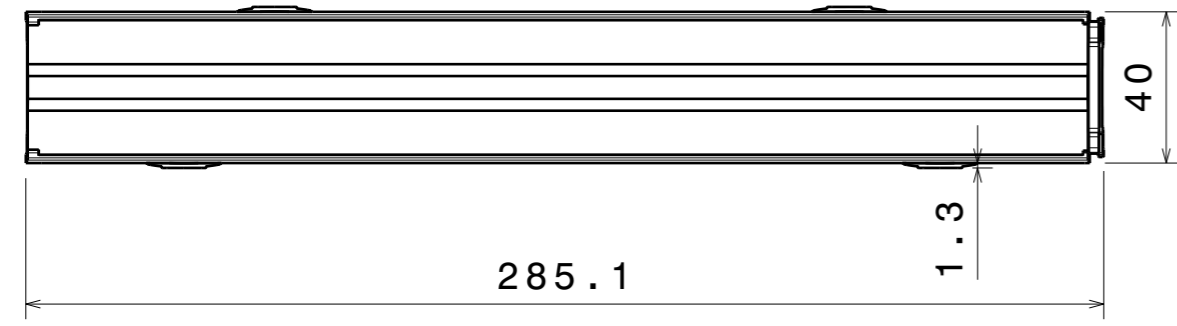
3

3



2

2



1

1

INDEX	PART NO	DESCRIPTION	MATERIAL	COLOUR
1	F15999	LINNEA-Z2T25-B	PC	clear

Tolerances if not otherwise shown
According to DIN ISO 2768-1
Linear measures:
Up to 30mm class M, otherwise class C.
According to DIN ISO 2768-2
Form and position: class L

LEDiL LediL Oy
Salorankatu 10
FIN 24240 SALO
Finland

THIRD ANGLE PROJECTION:

DRAWING TITLE
F15999_LINNEA-Z2T25-B

This drawing is the property
of LEDiL Oy. It may not be
~~reproduced, copied or~~
communicated without a written
agreement with LEDiL Oy.

SIZE	PART NUMBER
A3	F15999

SCALE	1:2	WEIGHT	43,1g	SHEET	1/1
-------	-----	--------	-------	-------	-----

H G B A