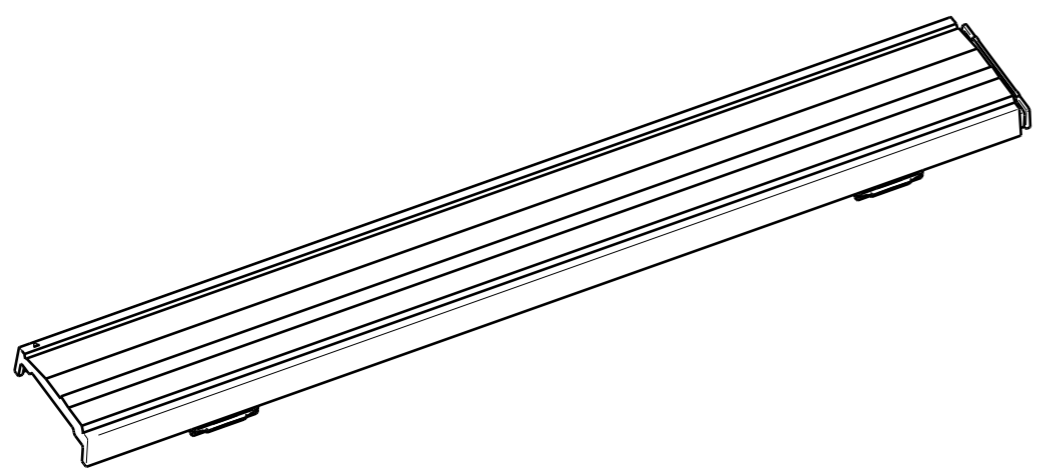
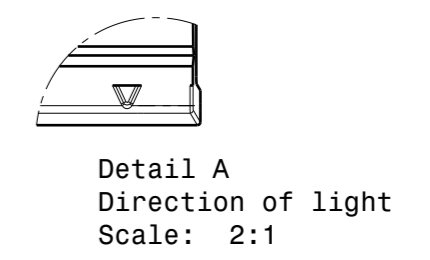
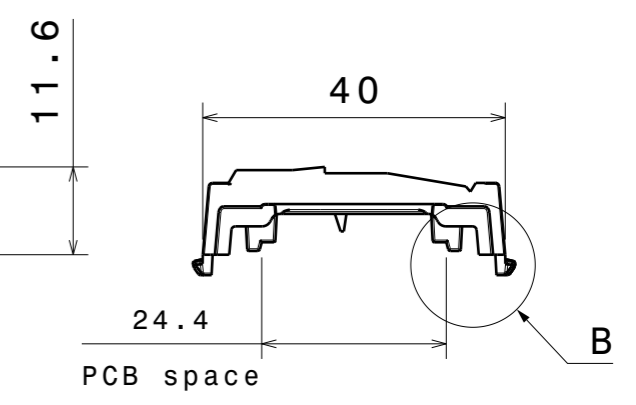
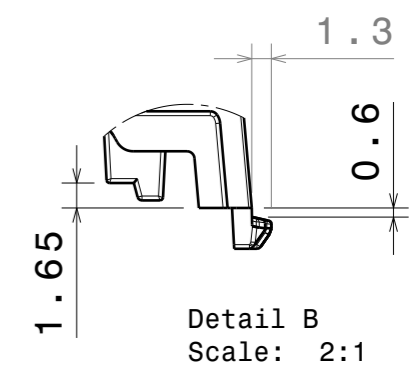
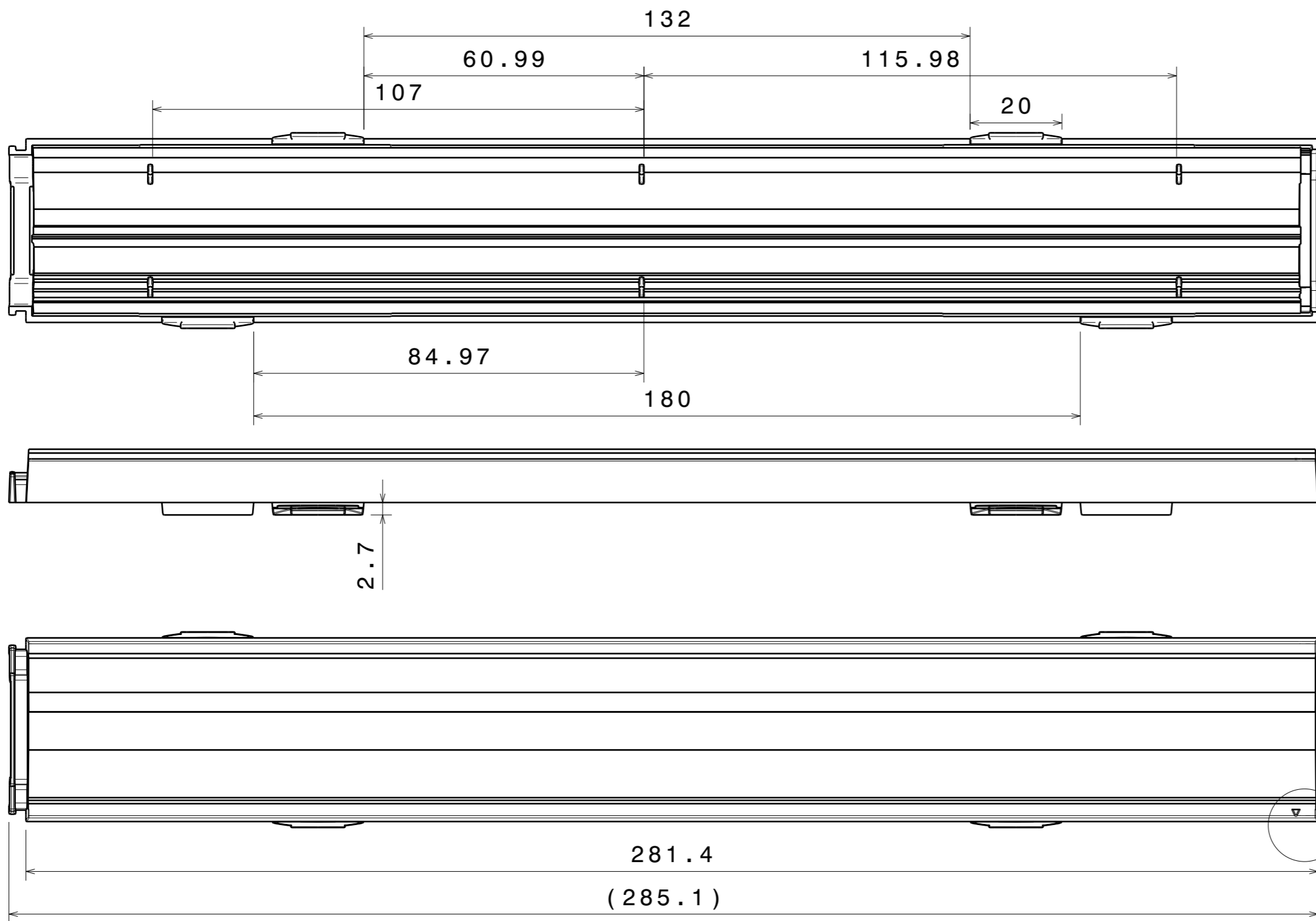


H G F E D C B A



INDEX	PART NO	DESCRIPTION	MATERIAL	COLOUR
1	F16000	LINNEA-ZT25-B	PC	clear

Tolerances if not otherwise shown  
According to DIN ISO 2768-1  
Linear measures:  
Up to 30mm class M, otherwise class C.  
According to DIN ISO 2768-2  
Form and position: class L

**LEDiL** LediL Oy  
Salorankatu 10  
FIN 24240 SALO  
Finland

THIRD ANGLE PROJECTION:

DRAWING TITLE  
**F16000\_LINNEA-ZT25-B**

This drawing is the property of LEDiL Oy. It may not be reproduced, copied or communicated without a written agreement with LEDiL Oy.

SIZE	PART NUMBER
A3	F16000

SCALE	1:1	WEIGHT	46,6g	SHEET	1/1
-------	-----	--------	-------	-------	-----

H G B A