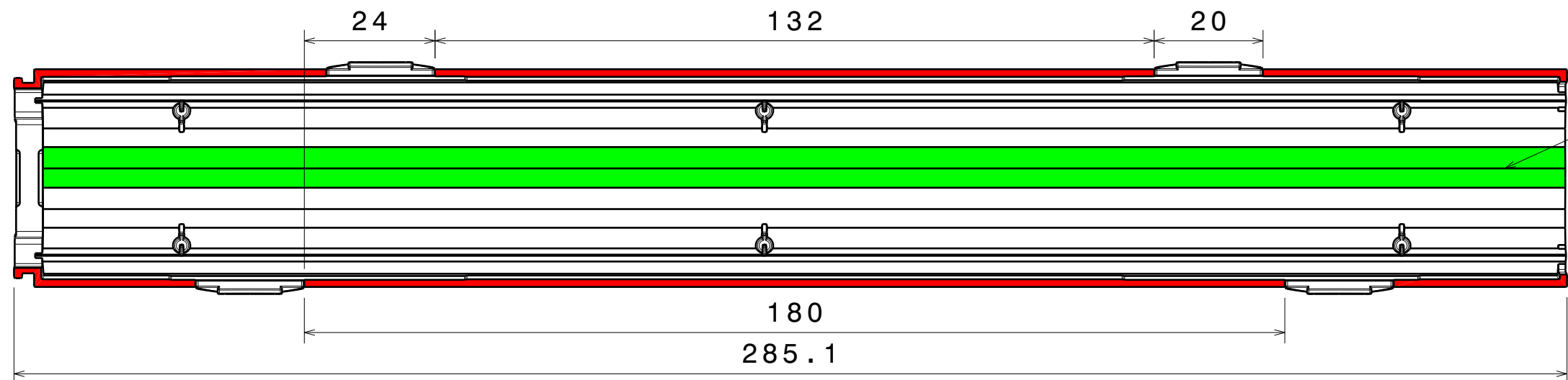


H G F E D C B A

4

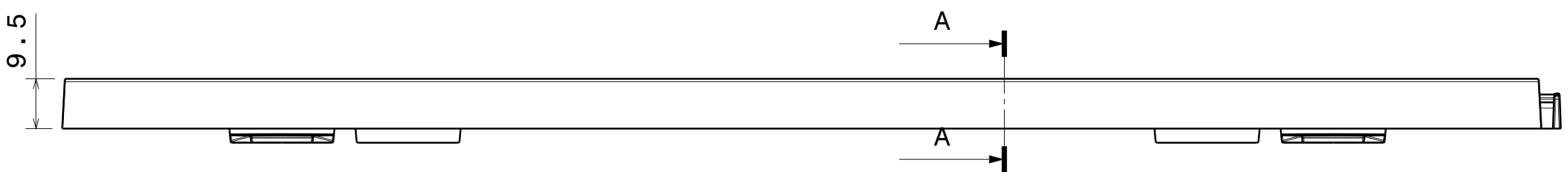
4



LEDs on the center line

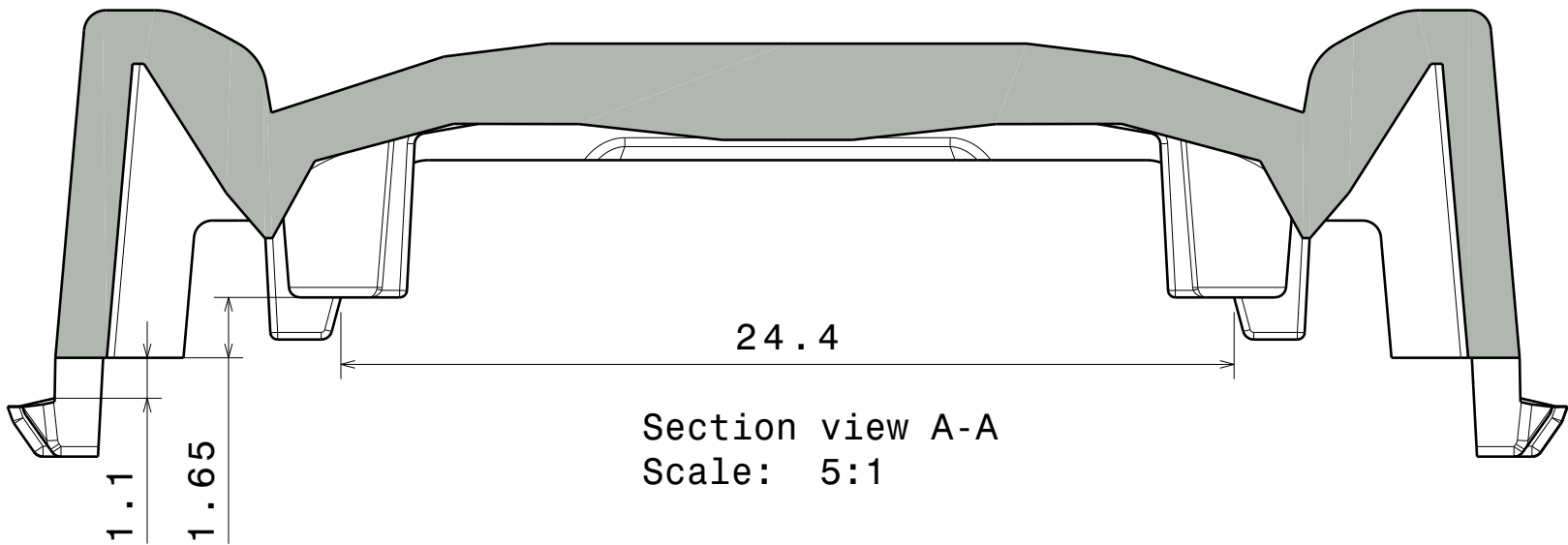
3

3

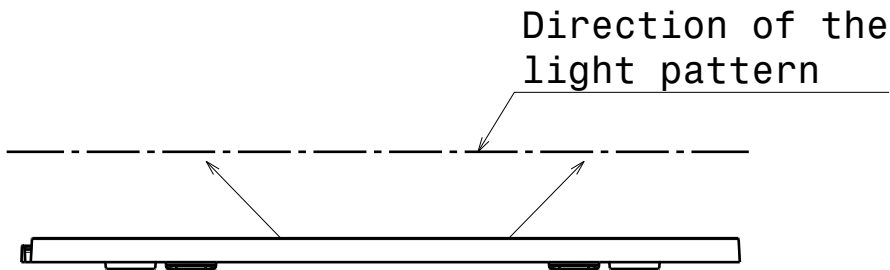


2

2



Section view A-A  
Scale: 5:1



Direction of the light pattern

LINNEA\_  
COMPONENTS

INDEX	PART	TYPE	MATERIAL	COLOR / COATING
1	Reference PCB for LINNEA_		Steel	
3	F16811_LINNEA-90-PMMA		PMMA	

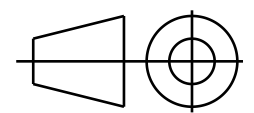
MECHANICAL DRAWING

PRODUCT  
**LINNEA**

**LEDiL<sup>®</sup>**

Plastic moulding general tolerances according to DIN 16901-130 and applies if not otherwise shown in the drawing. Silicone moulding general tolerances according to ISO 3302-1 Class M3 and applies if not otherwise shown in the drawing.

FIRST ANGLE PROJECTION:



This drawing is the property of LEDiL Oy. It may not be copied or otherwise distributed without prior written permission from LEDiL Oy.

SCALE 1:1

WEIGHT -

A3 SHEET 1/2

Notes

- PCB or heatsink level.
- LED location
- Ensure LED fitting from a product specific 3D model available from [www.ledil.com](http://www.ledil.com)
- For more details about installation please see LEDiL Installation Guide on [www.ledil.com](http://www.ledil.com)

H G B A

H

G

F

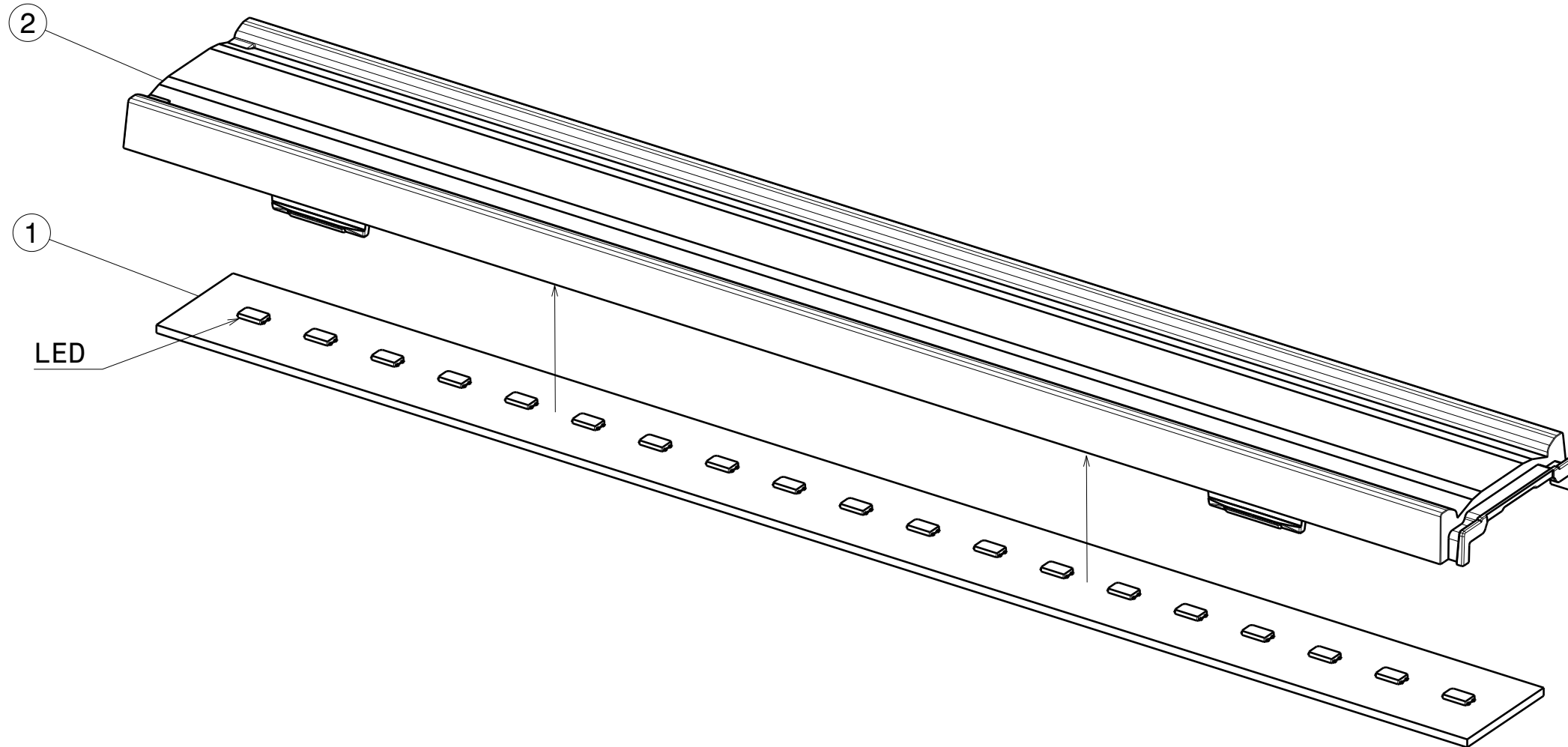
E

D

C

B

A



LINNEA\_  
COMPONENTS

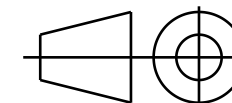
INDEX	PART	TYPE	MATERIAL	COLOR / COATING
1	Reference PCB for LINNEA_		Steel	
3	F16811_LINNEA-90-PMMA		PMMA	

MECHANICAL DRAWING

PRODUCT  
LINNEA

Plastic moulding general tolerances according to DIN 16901-130 and applies if not otherwise shown in the drawing.  
Silicone moulding general tolerances according to ISO 3302-1 Class M3 and applies if not otherwise shown in the drawing.

FIRST ANGLE PROJECTION:



**LEDiL®**

This drawing is the property of LEDiL Oy. It may not be copied or otherwise distributed without prior written permission from LEDiL Oy.

SCALE 1:1

WEIGHT -

A3 SHEET 2/2

Notes

<span style="color: red;">●</span>	PCB or heatsink level.
<span style="color: green;">●</span>	LED location
	Ensure LED fitting from a product specific 3D model available from <a href="http://www.ledil.com">www.ledil.com</a>
	For more details about installation please see LEDiL Installation Guide on <a href="http://www.ledil.com">www.ledil.com</a>

H

G

B

A