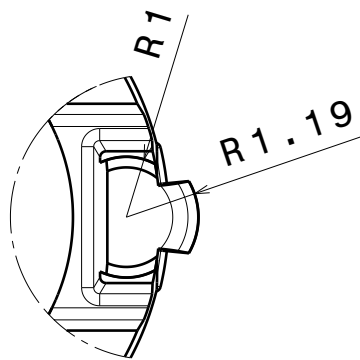


D

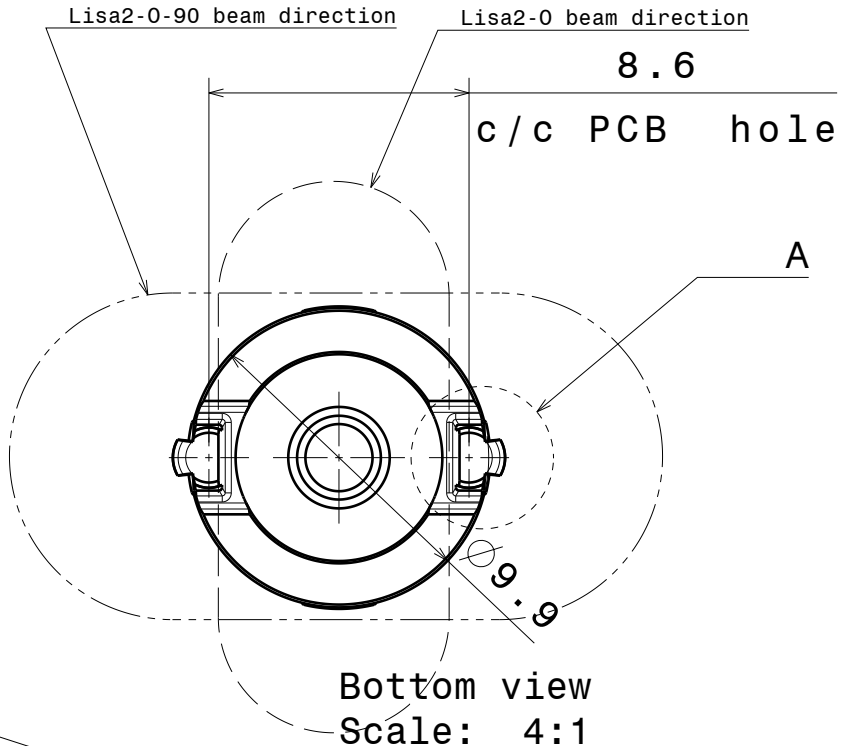
C

B

A



Detail A  
Scale: 8:1

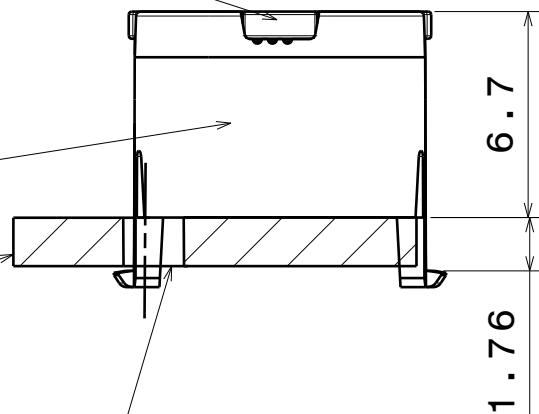


Bottom view  
Scale: 4:1

Lens

Holder

Reference PCB



Front view  
Scale: 4:1

Materials:  
Lens PMMA  
Holder PC

Note:  
Take tolerances  
into account  
when specifying  
positioning  
holes for PCB

This drawing is our property.  
It can't be reproduced  
or communicated without  
our written agreement.



Ledil Oy  
Tehdaskatu 13  
FIN-24100 SALO  
Finland

DRAWING TITLE

Datasheet Lisa2-clip16-0SL series Assy

DRAWN BY  
ch

DATE  
20.7.2011

CHECKED BY  
sn

DATE  
20.7.2011

SIZE  
A4

DRAWING NUMBER

REV  
2

DESIGNED BY  
hh

DATE  
19.10.2009

SCALE

4:1

WEIGHT (g)

SHEET

1/1

D

A

4

4

3

3

2

2

1

1