

D

C

B

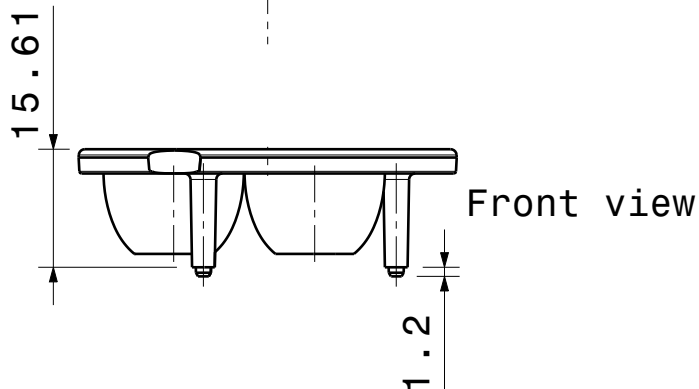
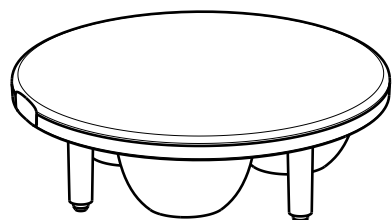
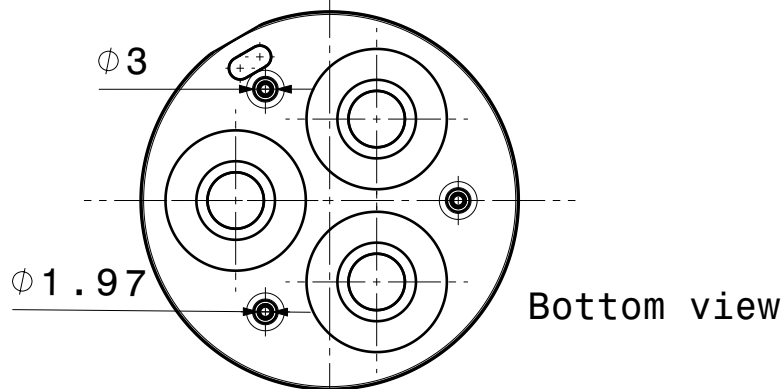
A

DATE

27.06.2018

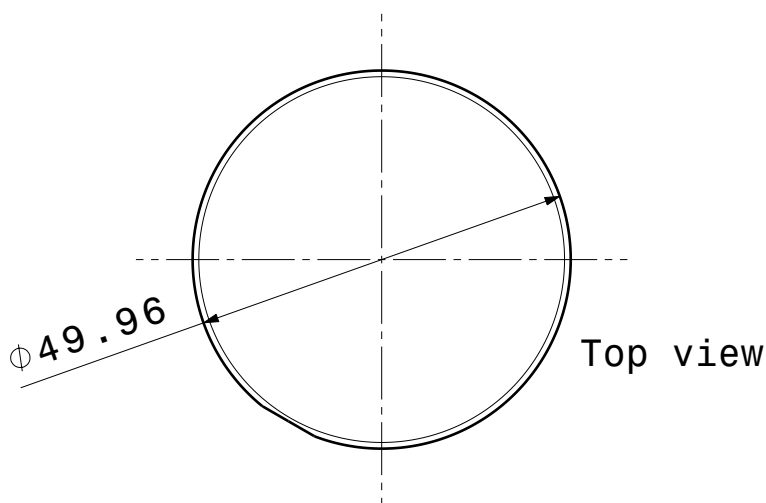
4

4



3

3



2

2

PART	TYPE	MATERIAL	COLOR / COATING
C10367_PLATINUMROCKET-3-M	LENS	PMMA	CLEAR

### MECHANICAL DRAWING

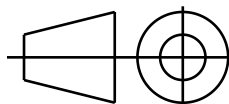
PRODUCT

MARTHA

# LEDiL<sup>®</sup>

Plastic moulding general tolerances according to DIN 16901-130 and applies if not otherwise shown in the drawing. Silicone moulding general tolerances according to ISO 3302-1 Class M3 and applies if not otherwise shown in the drawing.

FIRST ANGLE PROJECTION:



This drawing is the property of LEDiL Oy. It may not be copied or otherwise distributed without prior written permission from LEDiL Oy.

1

1

SCALE

1:1

WEIGHT

-

A4

SHEET 1/1

D

A