

D

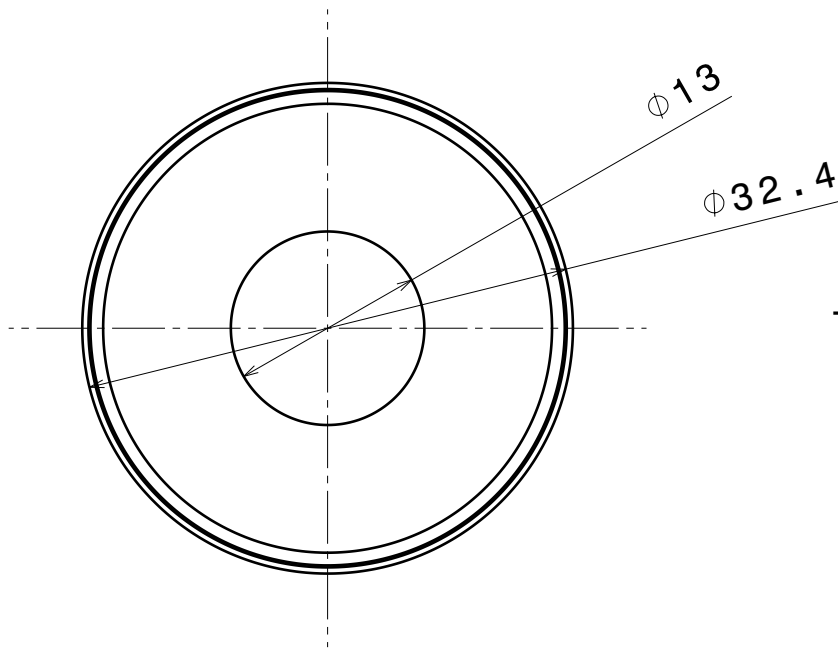
C

B

A

4

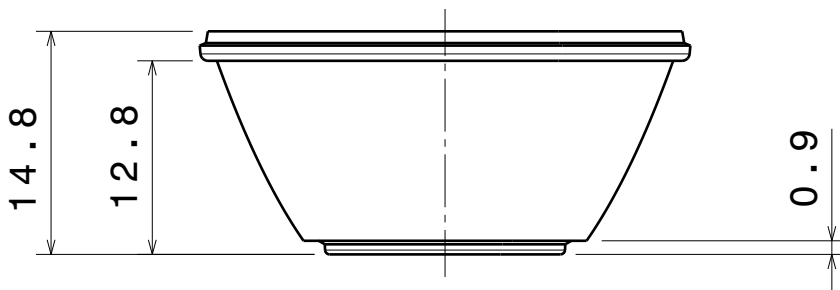
4



Top view

3

3



Front view

2

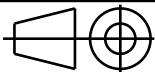
2

Version without holder,
correct mounting height from the PCB 1,0 mm

Tolerances if not otherwise shown
According to DIN ISO 2768-1
Linear measures:
Up to 30mm class F, otherwise class M.
According to DIN ISO 2768-2
Form and position: class K

LEDiL LediL Oy
Salorankatu 10
FIN 24240 SALO
Finland

THIRD ANGLE PROJECTION:



DRAWING TITLE

Datasheet Minnie-www

This drawing is the property
of LEDiL Oy. It may not be
reproduced, copied or
communicated without a written
agreement with LEDiL Oy."

SIZE PART NUMBER

A4

-

SCALE 2:1 WEIGHT (g)

SHEET 1/1

1

1

D

A