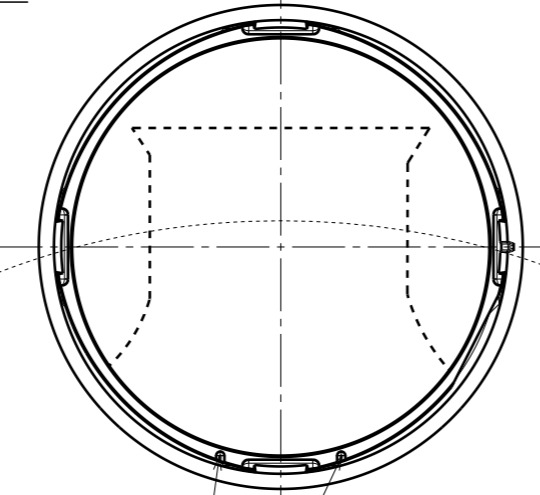


Guiding pins



Light beam direction mark

**COMPONENTS**

INDEX	PART	TYPE	MATERIAL	COLOR / COATING
1	C15177_SPUTNIK-TAPE3	TAPE	ADHESIVE TAPE	Black
1	C16307_OLGA-WAS	LENS	PMMA	Clear
2	C16126_OLGA-HLD	HLD	PC	Black

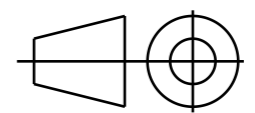
**MECHANICAL DRAWING**

PRODUCT  
**CA16308\_OLGA-WAS**

**LEDiL<sup>®</sup>**

Plastic moulding general tolerances according to DIN 16901-130 and applies if not otherwise shown in the drawing.  
Silicone moulding general tolerances according to ISO 3302-1 Class M3 and applies if not otherwise shown in the drawing.

FIRST ANGLE PROJECTION:



This drawing is the property of LEDiL Oy. It may not be copied or otherwise distributed without prior written permission from LEDiL Oy.

SCALE 2:1

WEIGHT 9,7 g

A3 SHEET 1/1

**Notes**

- PCB or heatsink level.
- LED location
- Ensure LED fitting from a product specific 3D model available from [www.ledil.com](http://www.ledil.com)
- For more details about installation please see LEDiL Installation Guide on [www.ledil.com](http://www.ledil.com)