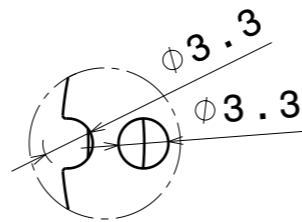
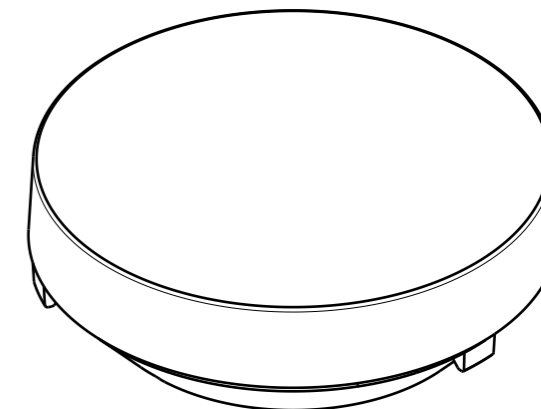


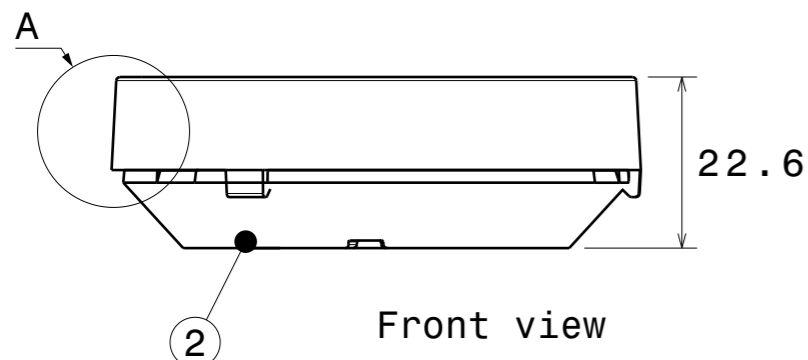
Bottom view



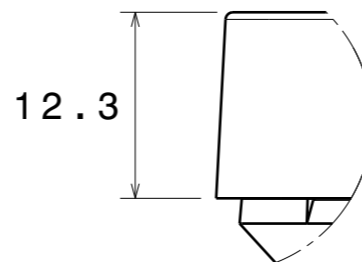
Detail B



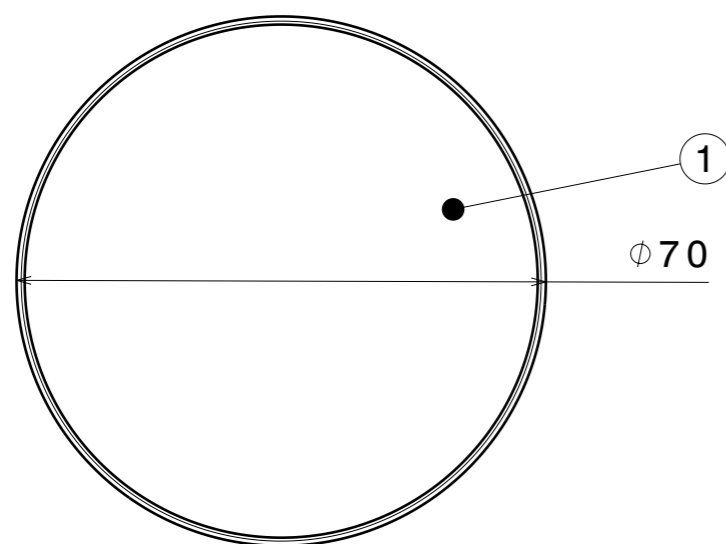
Isometric view



Front view



Detail A



Top view

INDEX	PART	TYPE	MATERIAL	COLOR / COATING
1	F14520_OLIVIA-S	LENS	PMMA	CLEAR
2	F14521_OLIVIA-HLD	HOLDER	PC	CLEAR

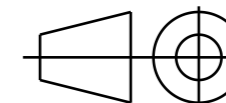
**MECHANICAL DRAWING**

PRODUCT  
**FN14637\_OLIVIA-S**

**LEDiL**®

Plastic moulding general tolerances according to DIN 16901-130 and applies if not otherwise shown in the drawing.  
Silicone moulding general tolerances according to ISO 3302-1 Class M3 and applies if not otherwise shown in the drawing.

FIRST ANGLE PROJECTION:



This drawing is the property of LEDiL Oy. It may not be copied or otherwise distributed without prior written permission from LEDiL Oy.

SCALE 1:1

WEIGHT -

A3 SHEET 1/1

**Notes**

Ensure LED fitting from a product specific 3D model available from [www.ledil.com](http://www.ledil.com)  
For more details about installation please see LEDiL Installation Guide on [www.ledil.com](http://www.ledil.com)