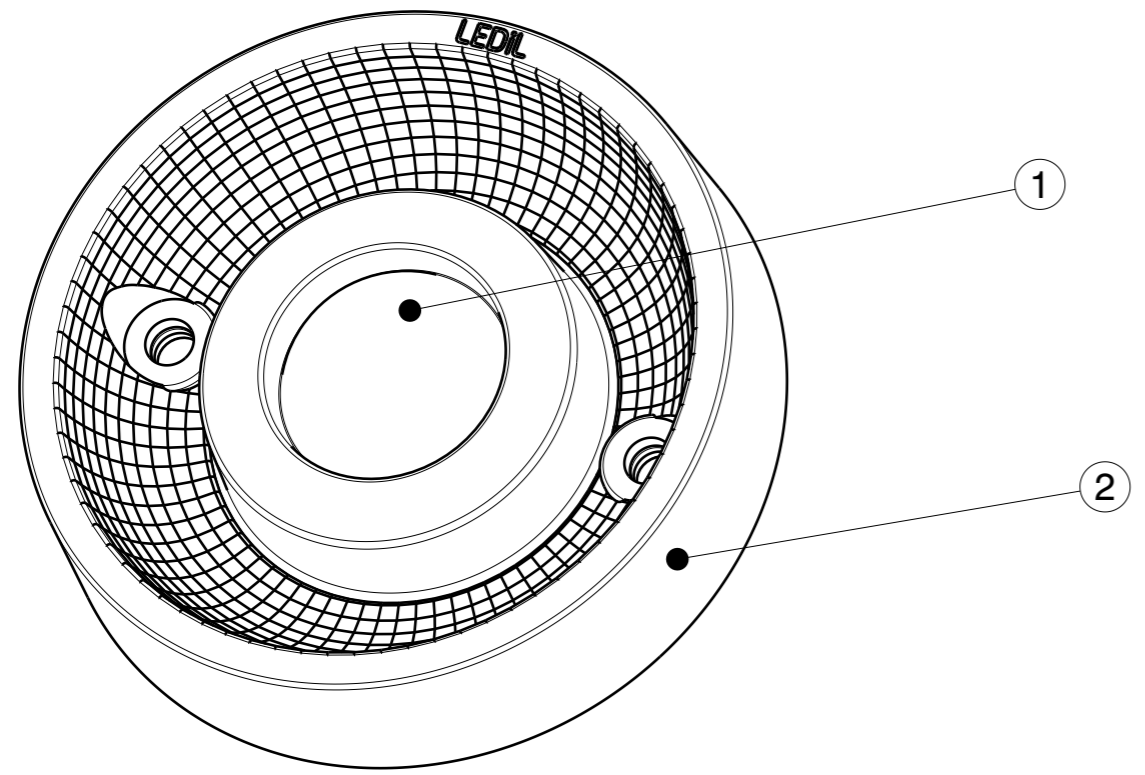
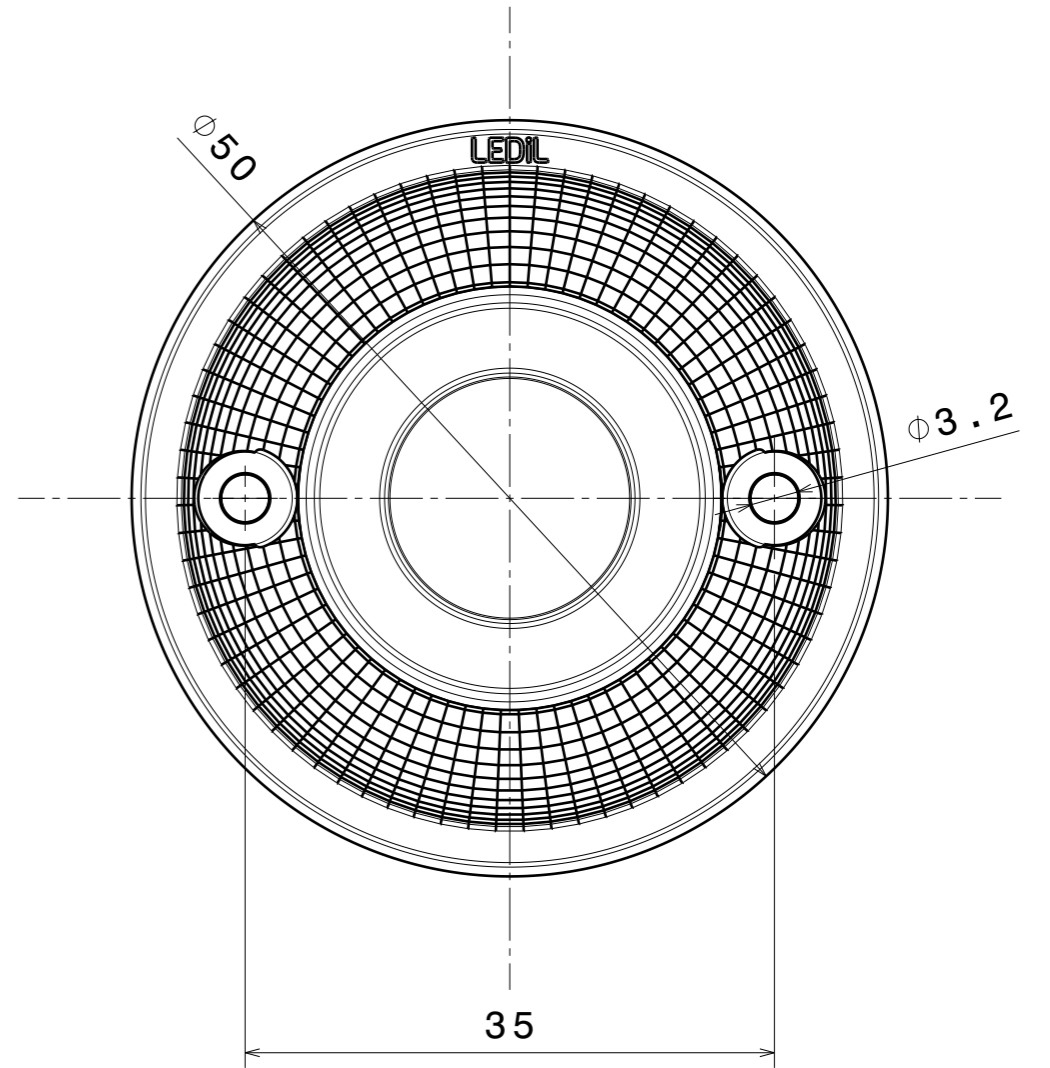
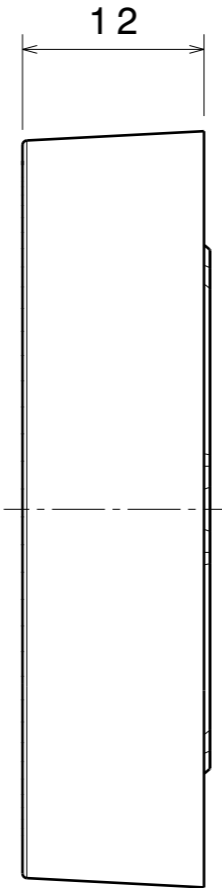



Sealed construction, IP rating to be defined.



INDEX	PART	MATERIAL	COLOUR
1	C13586_SAGA-HB-IP	Optical grade silicone	Clear
2	C13591_SAGA-FRAME-WHT	PC, reflective	White

This drawing is our property. It can't be reproduced or communicated without our written agreement.		 Ledil Oy Salorankatu 10 FIN 24240 SALO Finland	
DRAWING TITLE		Part Drawing	
DRAWN BY	DATE	Datasheet SAGA-HB-IP-WHT	
JP	2.8.2013		
CHECKED BY	DATE	SIZE	PART NUMBER
-	-	A3	CN13990
DESIGNED BY	DATE	SCALE	WEIGHT
-	-	2:1	-
		SHEET	1/1