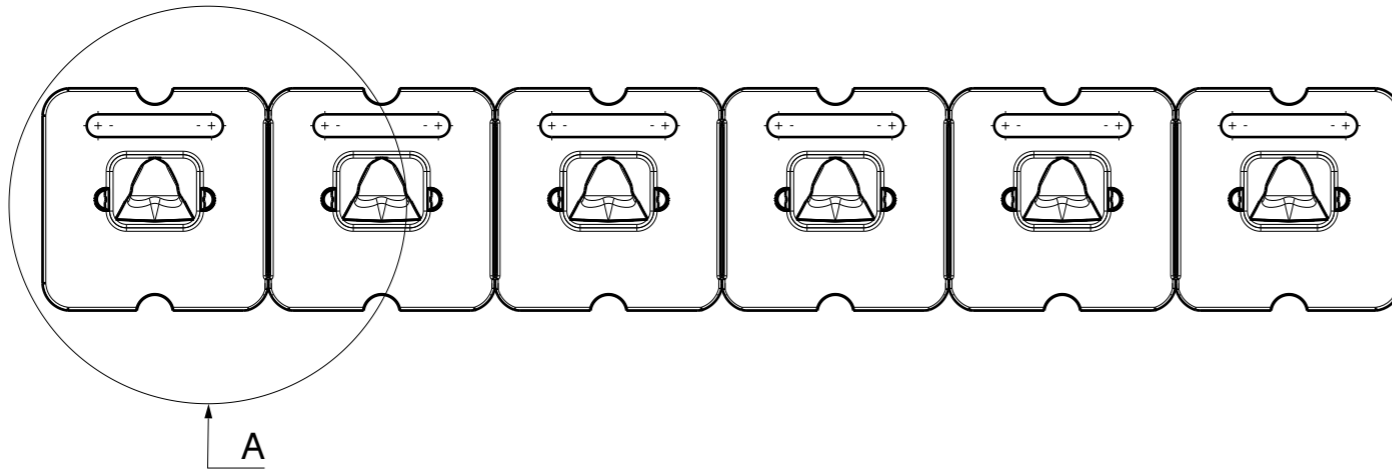
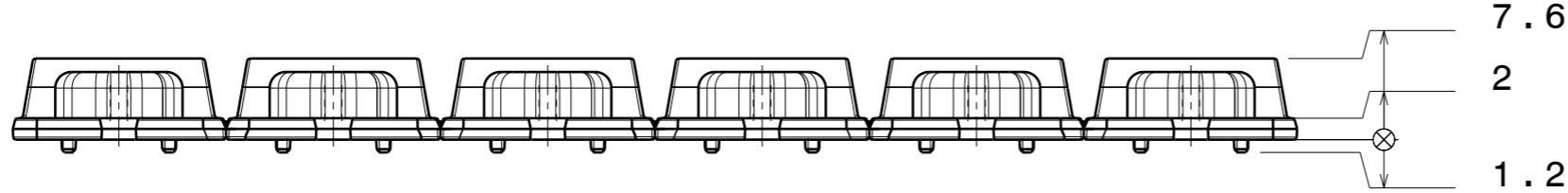


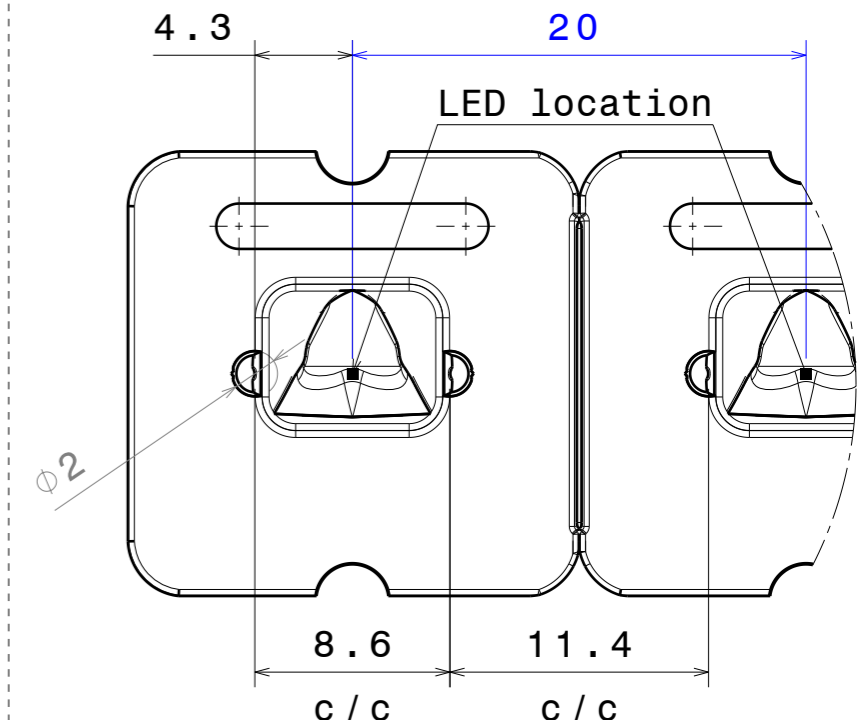
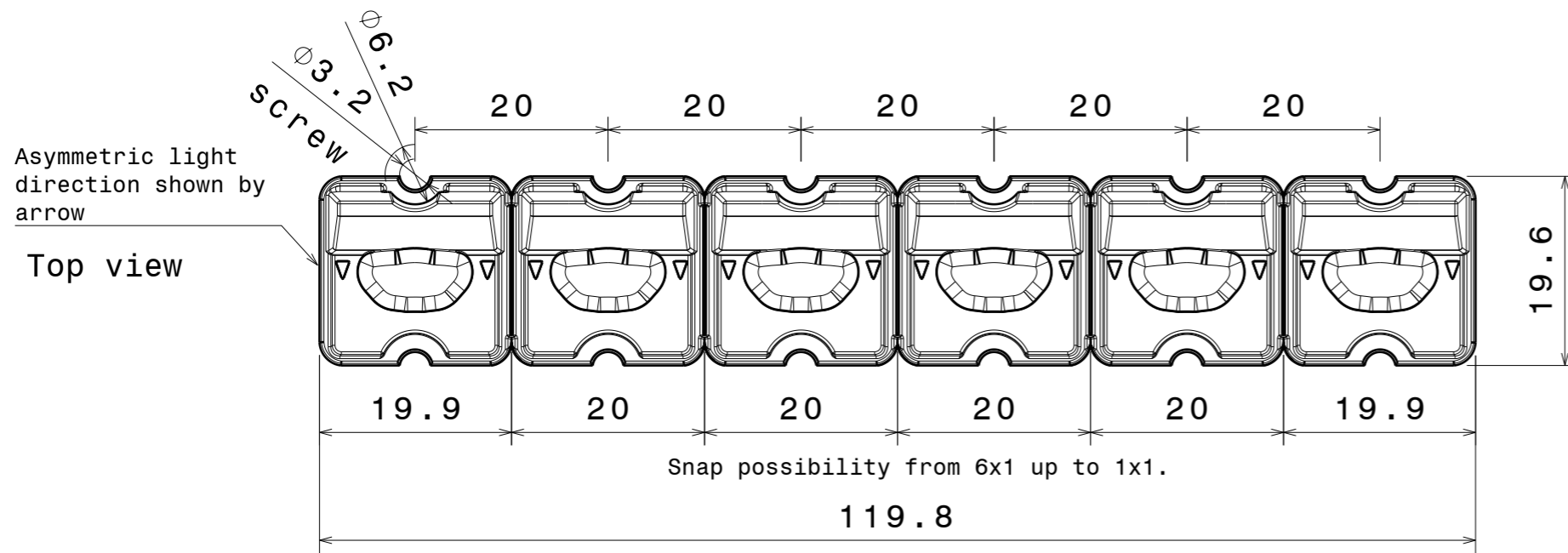
Bottom view



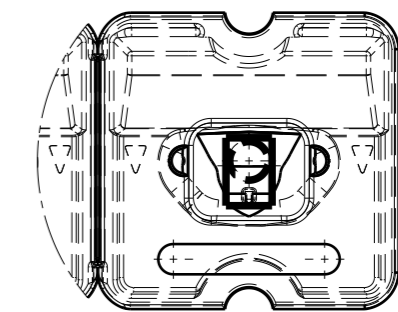
Front view



Top view



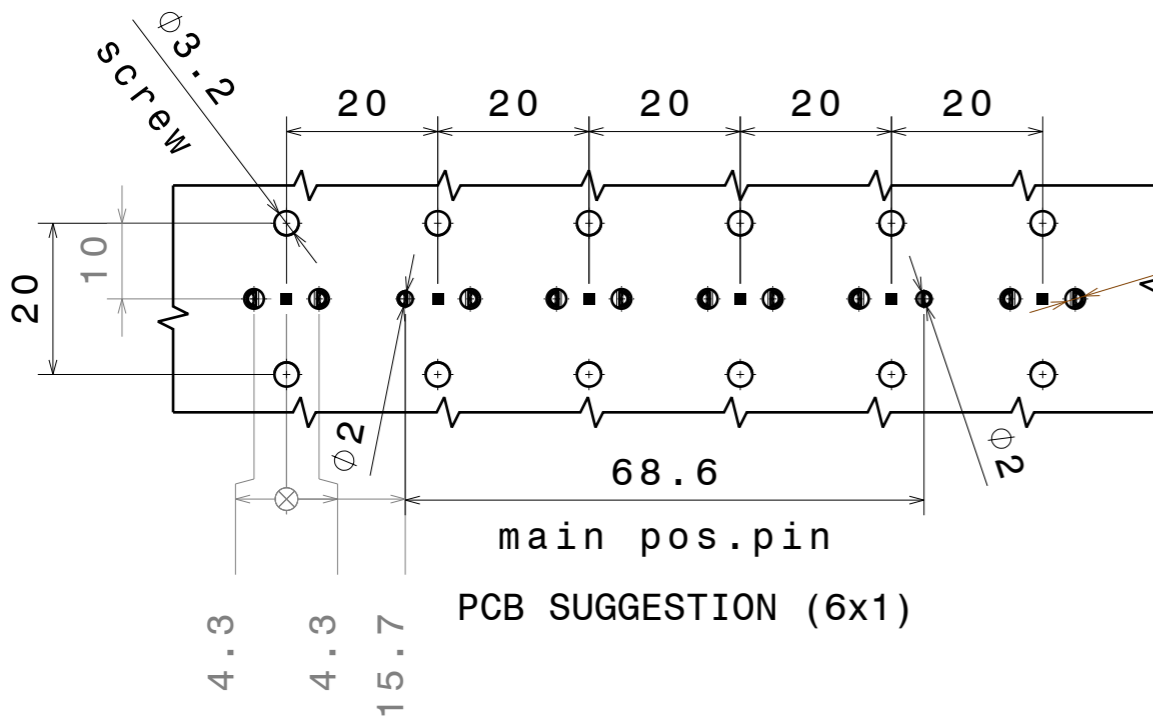
Detail A



Led direction for Rebel / rebel-es / luxeon-r / luxeon-a LED types.

To ease assembly: two main 2mm position pins holes recommended to use - other holes larger sized or oval/oblong geometry.

($\phi 2.5$) example



INDEX	PART NO	DESCRIPTION	MATERIAL	COLOUR
1	C14274	SHELLY-T-6X1-WAS	PMMA	

LEDiL LediL Oy
 Salorankatu 10
 FIN 24240 SALO
 Finland

Tolerances if not otherwise shown
 According to DIN ISO 2768-1
 Linear measures:
 Up to 30mm class M, otherwise class C.
 According to DIN ISO 2768-2
 Form and position: class L

THIRD ANGLE PROJECTION:

This drawing is the property of LEDiL Oy. It may not be reproduced, copied or communicated without a written agreement with LEDiL Oy.

DRAWING TITLE
C14274_SHELLY-T-6X1-WAS

SIZE	PART NUMBER
A3	C14274

SCALE	1:1	WEIGHT	- g	SHEET	1/1
-------	-----	--------	-----	-------	-----