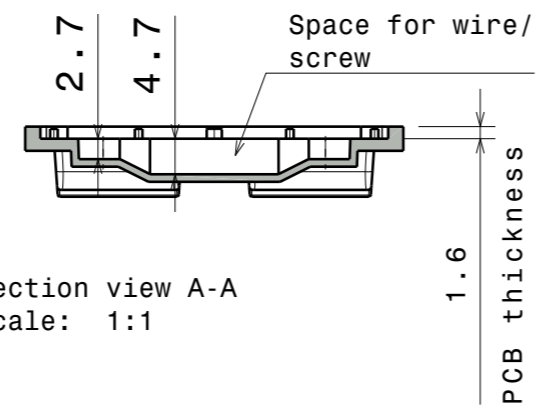
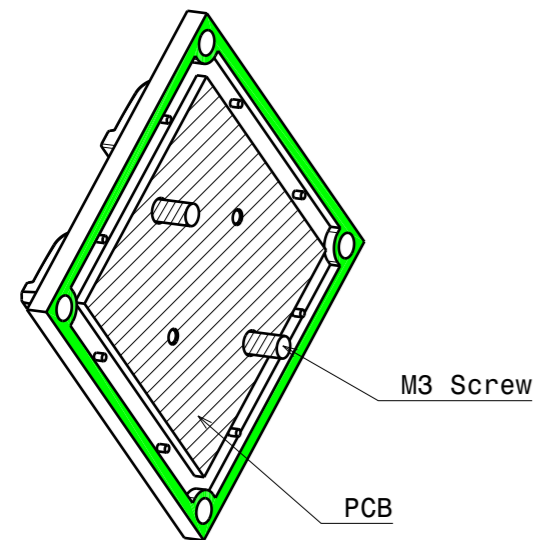
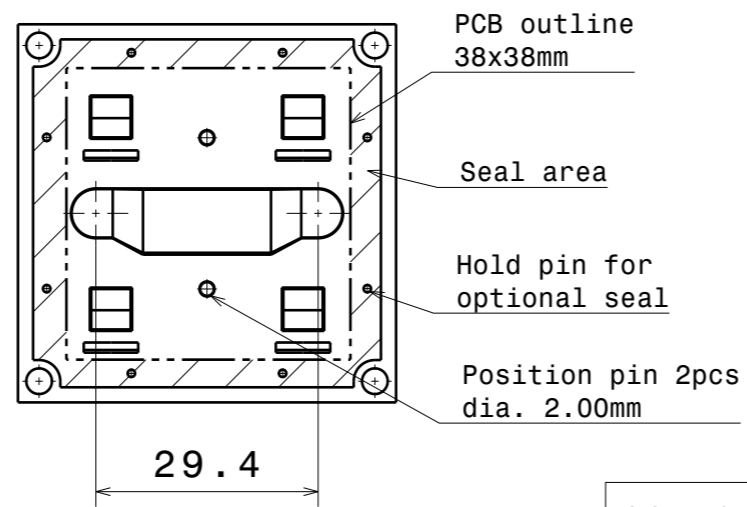
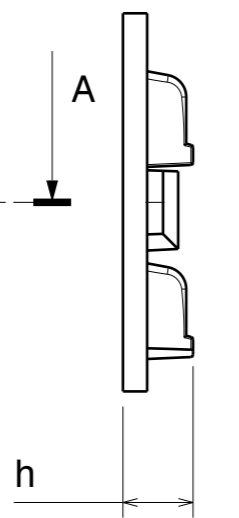
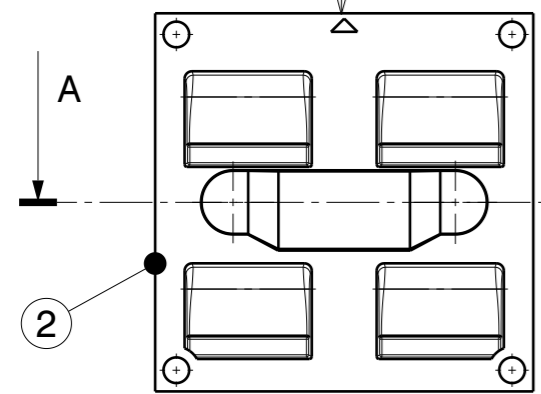


Street side according arrow mark



Section view A-A
Scale: 1:1

COMPONENTS

INDEX	PART	TYPE	MATERIAL	h (mm)	COLOR / COATING
1	C16375_SITARA-2X2-T1-A	Lens	PC	8	Clear
2	C16376_SITARA-2X2-T2	Lens	PC	9.26	Clear
3	C16421_SITARA-2X2-SEAL	Seal	Silicone	1.99	White

Notes

- PCB or heat sink level
 - Led location
- Ensure LED fitting from a product specific 3D model available from www.ledil.com

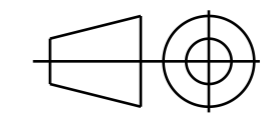
MECHANICAL DRAWING

FAMILY **SITARA-family (2x2)**



Plastic moulding general tolerances according to DIN 16901-130 and applies if not otherwise shown in the drawing. Silicone moulding general tolerances according to ISO 3302-1 Class M3 and applies if not otherwise shown in the drawing.

FIRST ANGLE PROJECTION:



This drawing is the property of LEDiL Oy. It may not be reproduced, copied or communicated without a written agreement with LEDiL Oy.

SCALE	1:1	WEIGHT	A3 SHEET 1/1
-------	-----	--------	--------------