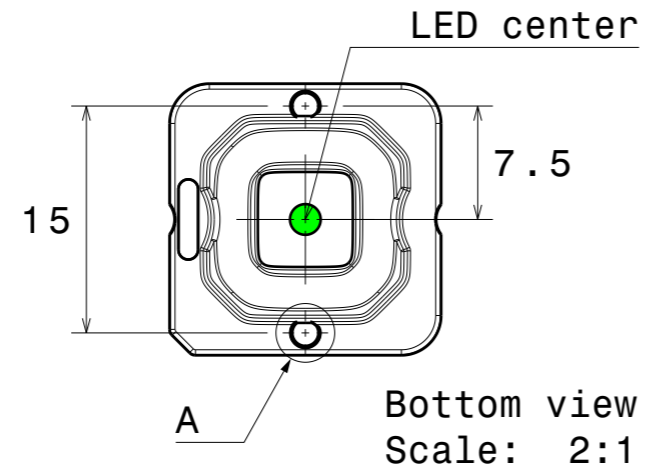
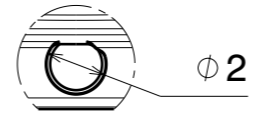


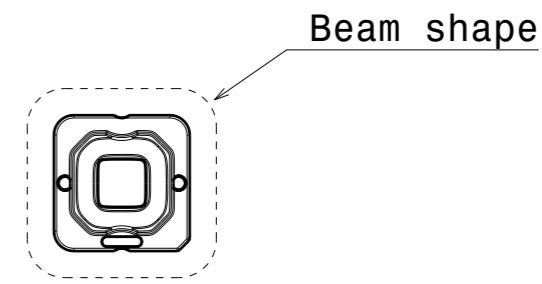
Detail B
Scale: 4:1



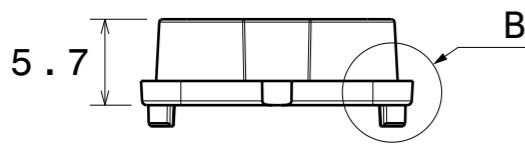
Bottom view
Scale: 2:1



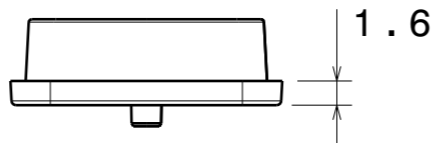
Detail A
Position pin
Scale: 4:1



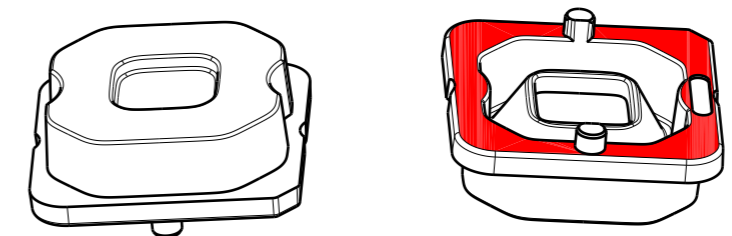
Bottom view
Scale: 1:1



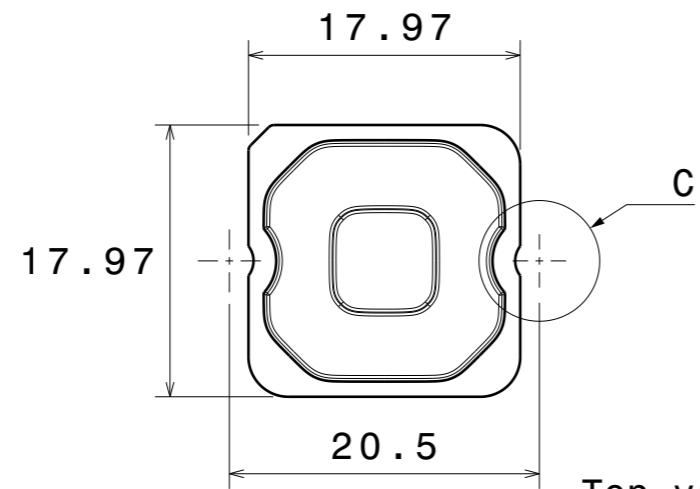
Right view
Scale: 2:1



Front view
Scale: 2:1



Isometric view
Scale: 2:1



Top view
Scale: 2:1

Screw distance
C-C



R1.6
M3 screw recommended

Detail C
Scale: 4:1

PART	TYPE	MATERIAL	COLOR / COATING
C16735_SITARA-HB-M	Lens	PMMA	transparent

MECHANICAL DRAWING		LEDiL [®]
PRODUCT SITARA		
Plastic moulding general tolerances according to DIN 16901-130 and applies if not otherwise shown in the drawing. Silicone moulding general tolerances according to ISO 3302-1 Class M3 and applies if not otherwise shown in the drawing.	FIRST ANGLE PROJECTION: 	This drawing is the property of LEDiL Oy. It may not be copied or otherwise distributed without prior written permission from LEDiL Oy.
SCALE 2:1	WEIGHT 1,12 g	A3 SHEET 1/1

Notes

- PCB or heatsink level.
- LED location
- Ensure LED fitting from a product specific 3D model available from www.ledil.com
- For more details about installation please see LEDiL Installation Guide on www.ledil.com