

D

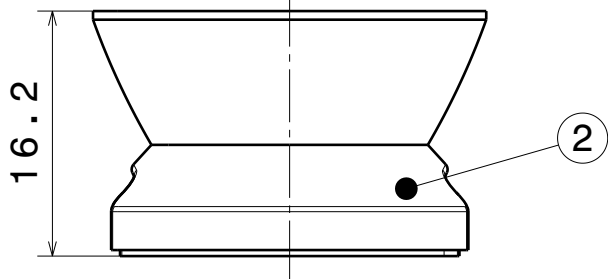
C

B

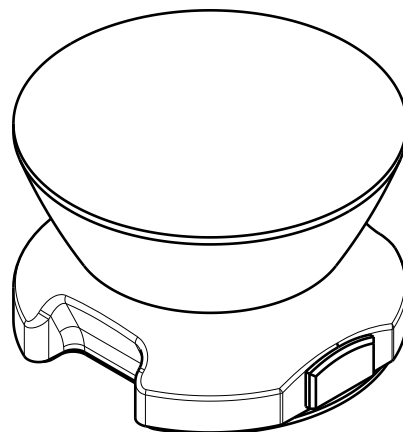
A

4

4



Front view

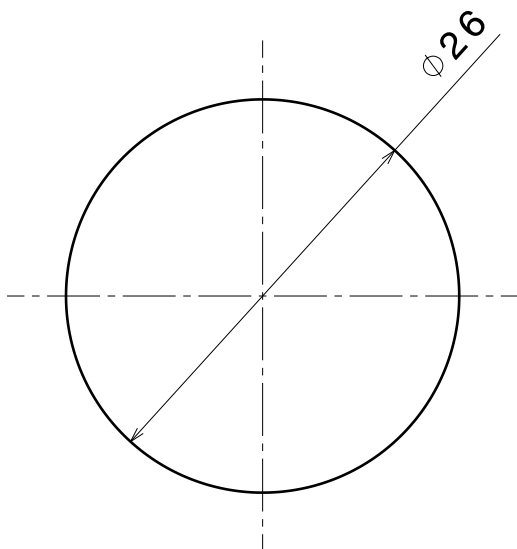


Isometric view

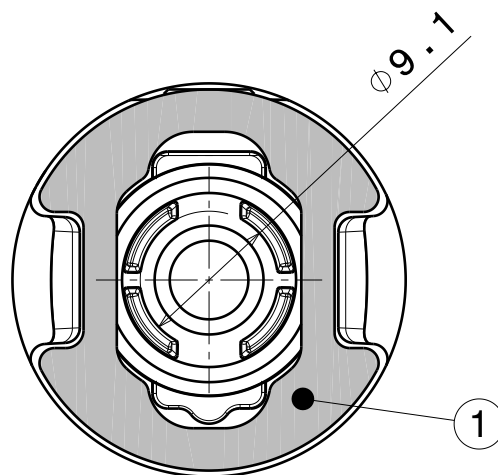
Scale: 2:1

3

3



Top view



Bottom view

2

2

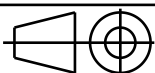
INDEX	PART NO	DESCRIPTION	MATERIAL	COLOUR
1	C10253	SPUTNIK-TAPE	PU FOAM	BLACK
2	C13430	SPUTNIK-R5	PMMA	CLEAR

Tolerances if not otherwise shown
According to DIN ISO 2768-1
Linear measures:
Up to 30mm class M, otherwise class C.
According to DIN ISO 2768-2
Form and position: class L

LEDiL

Ledil Oy
Joensuunkatu 13
FIN 24100 SALO
Finland

THIRD ANGLE PROJECTION:



DRAWING TITLE

CA10298_SPUTNIK-R5

This drawing is the property
of LEDiL Oy. It may not be
reproduced, copied or
communicated without a written
agreement with LEDiL Oy.

SIZE PART NUMBER

A4

CA10298

SCALE	2:1	WEIGHT	6,8 g	SHEET	1/1
-------	-----	--------	-------	-------	-----

D

A

1

1