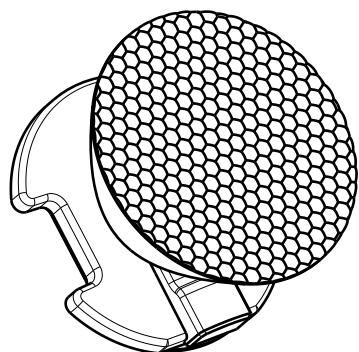


D

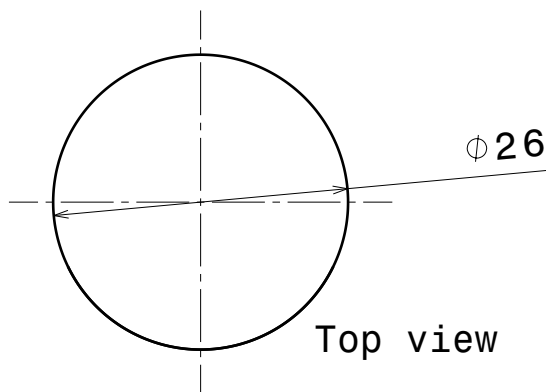
C

B

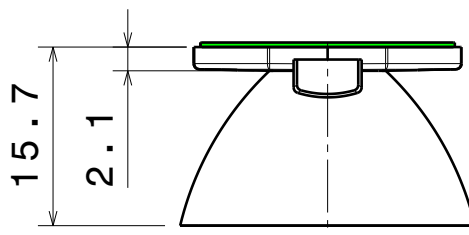
A



Isometric view



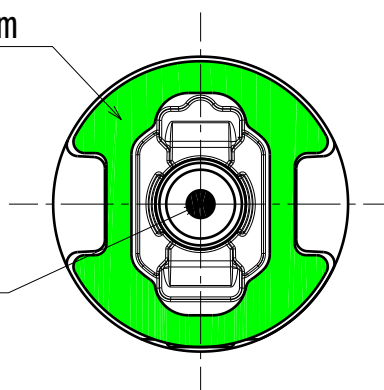
Top view



Front view

Tape 0,4mm

Led position



Bottom view

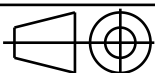
INDEX	PART NUM.	DESCRIPTION	MATERIAL	COLOUR
1	C10253	SPUTNIK-TAPE	PU FOAM	BLACK
2	-	SPUTNIK-Z lens	PMMA	CLEAR

Tolerances if not otherwise shown  
According to DIN ISO 2768-1  
Linear measures:  
Up to 30mm class F, otherwise class M.  
According to DIN ISO 2768-2  
Form and position: class K

LEDiL

Ledil Oy  
Joensuunkatu 13  
FIN 24100 SALO  
Finland

THIRD ANGLE PROJECTION:



DRAWING TITLE

SPUTNIK-Z series

This drawing is the property  
of LEDiL Oy. It may not be  
reproduced, copied or  
communicated without a written  
agreement with LEDiL Oy."

SIZE PART NUMBER

A4

-

SCALE

3:2

WEIGHT

5 g

SHEET

1/1

D

A