

D

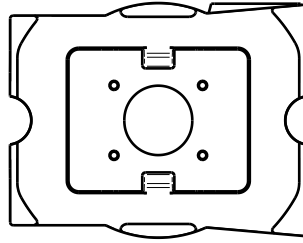
C

B

A

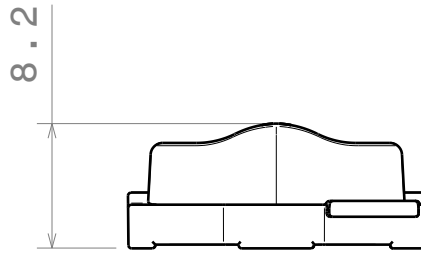
4

4



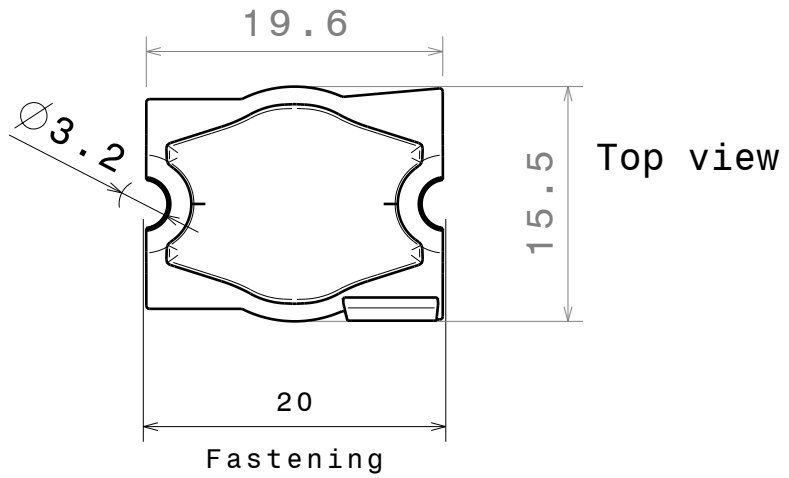
3

3



2

2



MATERIAL PMMA

This drawing is our property.
It can't be reproduced
or communicated without
our written agreement.



L
T
F
F

e
e
i
i
N
n

d

h

DRAWING TITLE

Datasheet Strada-B-XR lens

DRAWN BY

DATE

p

13.08.2009

CHECKED BY

DATE

t

k

26.04.2009

DESIGNED BY

DATE

hh

26.04.2009

SIZE

A4

DRAWING NUMBER

C10924

REV

0.1

SCALE

2:1

WEIGHT (g)

SHEET

1/1

D

A

1

1