

D

C

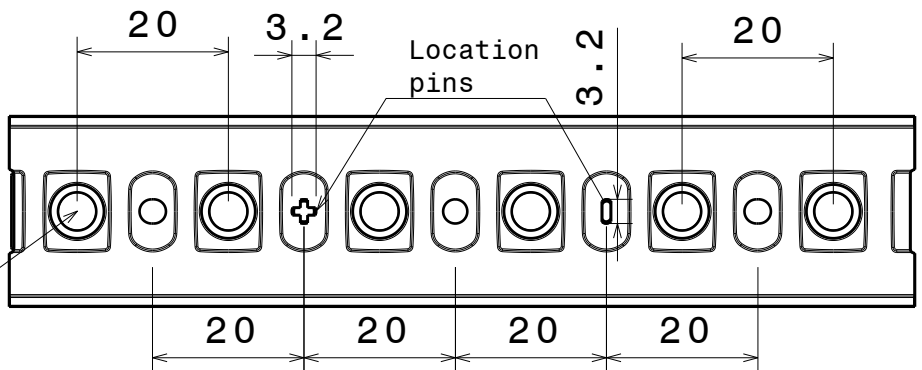
B

A

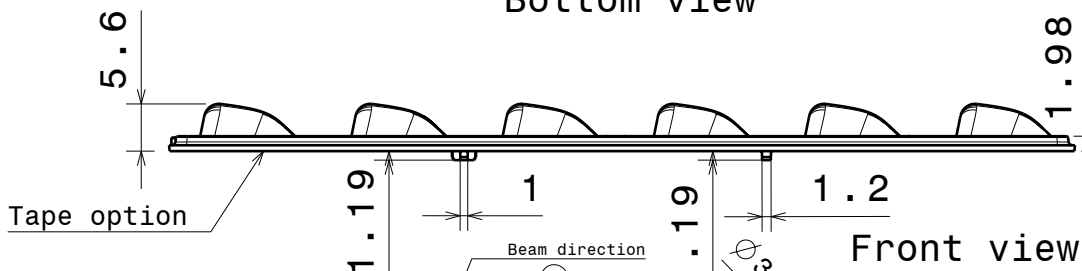
4

4

LED in the center of the optic



Bottom view

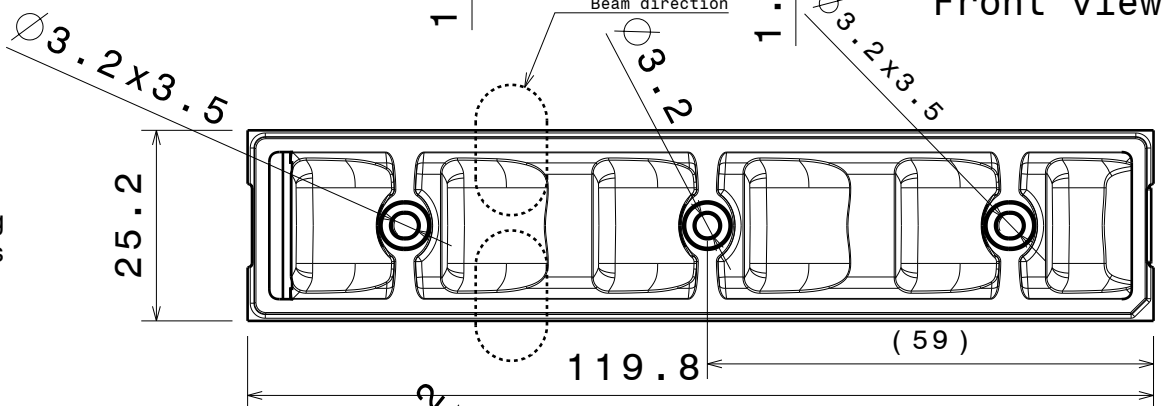


Front view

3

3

Note, Ledil Oy won't provide tape or sealing plates for this product.



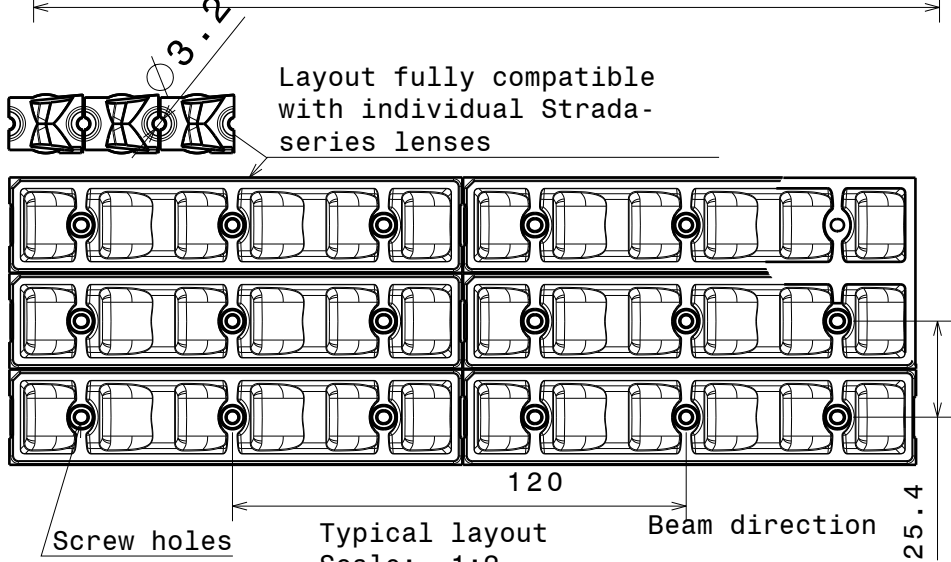
Layout fully compatible with individual Strada-series lenses

2

2

Materials:
Lens PMMA

Tolerances for dimensions:
 0-20mm tolerance value $\pm 0.1\text{mm}$
 21-45mm tolerance value $\pm 0.2\text{mm}$
 46-90mm tolerance value $\pm 0.3\text{mm}$
 91-100mm tolerance value $\pm 0.4\text{mm}$
 101-mm tolerance value $\pm 0.5\text{mm}$



Typical layout
Scale: 1:2

This drawing is our property. It can't be reproduced or communicated without our written agreement.



Ledil Oy
 Salorankatu 10
 FIN-24100 SALO
 Finland

DRAWING TITLE

Datasheet Strada-T-6x1-DNW Lens

1

1

DRAWN BY pv	DATE 1.11.2012
CHECKED BY jl	DATE 1.11.2012
DESIGNED BY hh	DATE 02.12.2010

SIZE A4	DRAWING NUMBER C11918	REV 6
SCALE 2:1	WEIGHT (g)	SHEET 1/1

D

A