

D

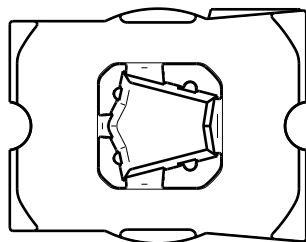
C

B

A

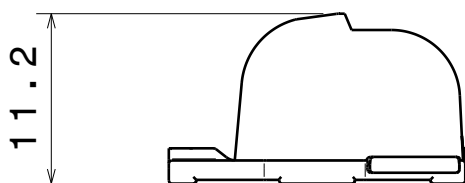
4

4



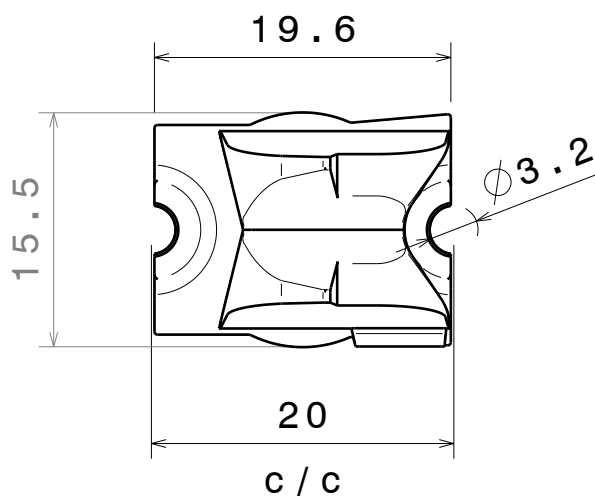
3

3



2

2



Top view  
Scale: 2:1

MATERIALS  
Lens: PMMA

This drawing is our property.  
It can't be reproduced  
or communicated without  
our written agreement.



Ledil Oy  
Salorankatu 10  
24240 SALO  
Finland

DRAWING TITLE

Datasheet Strada-FW-N83 lens

DRAWN BY  
pv

DATE  
23.8.2011

CHECKED BY  
ah

DATE  
22.8.2011

SIZE  
A4

DRAWING NUMBER

C12226

REV  
1

DESIGNED BY  
hh

DATE  
22.8.2011

SCALE

2:1

WEIGHT (g)

SHEET

1/1

D

A

1

1