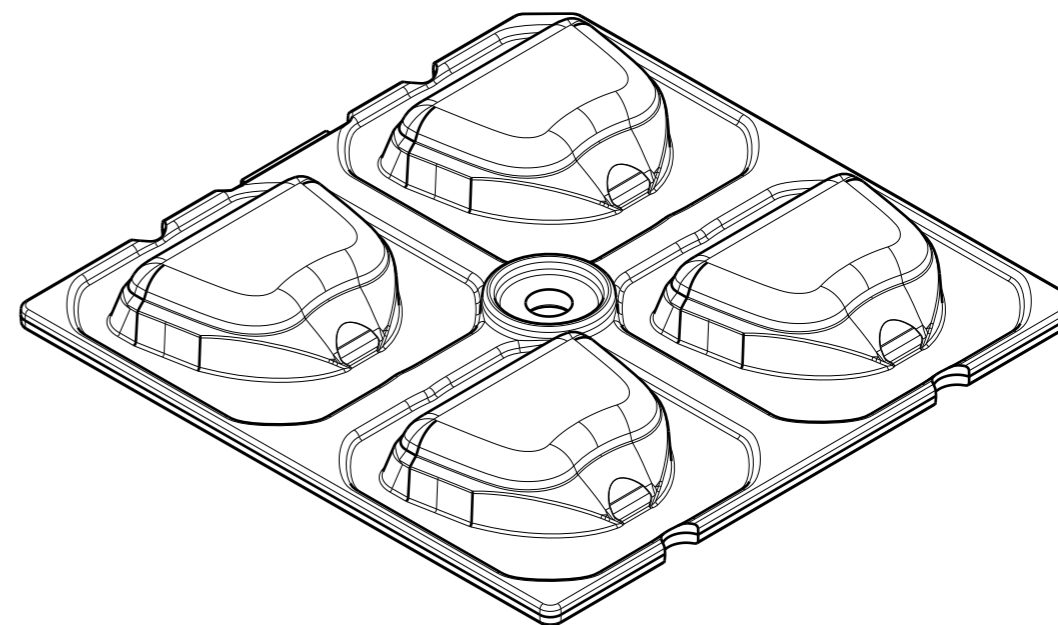
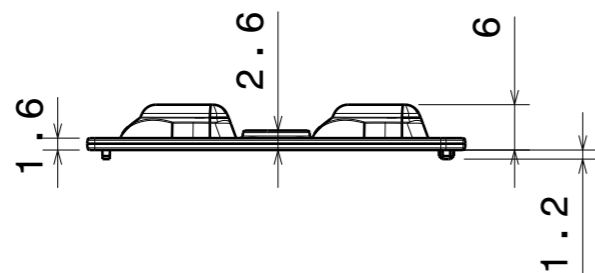


Bottom view

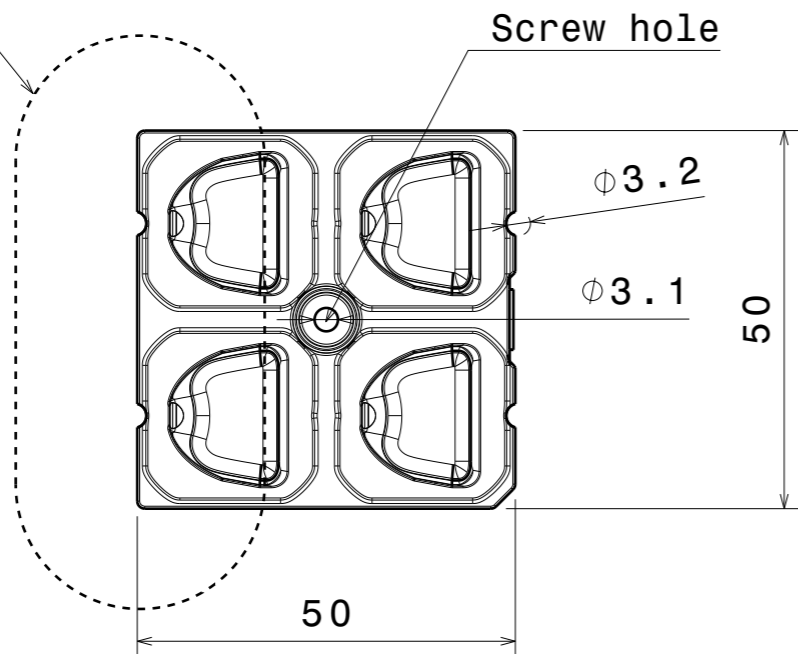


Isometric view  
Scale: 2:1



Front view

Beam direction  
(street side)



Top view

**Notes**

- PCB or heatsink level.
- LED location
- Ensure LED fitting from a product specific 3D model available from [www.ledil.com](http://www.ledil.com)
- For more details about installation please see LEDiL Installation Guide on [www.ledil.com](http://www.ledil.com)

PART	TYPE	MATERIAL	COLOR / COATING
C12362_STRADA-2X2-DWC	LENS	PMMA	CLEAR

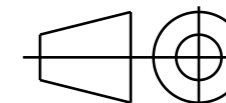
**MECHANICAL DRAWING**

PRODUCT  
**STRADA**

**LEDiL®**

Plastic moulding general tolerances according to DIN 16901-130 and applies if not otherwise shown in the drawing.  
Silicone moulding general tolerances according to ISO 3302-1 Class M3 and applies if not otherwise shown in the drawing.

FIRST ANGLE PROJECTION:



This drawing is the property of LEDiL Oy. It may not be copied or otherwise distributed without prior written permission from LEDiL Oy.

SCALE	1:1	WEIGHT	0.0062 kg	A3	SHEET 1/1
-------	-----	--------	-----------	----	-----------