

D

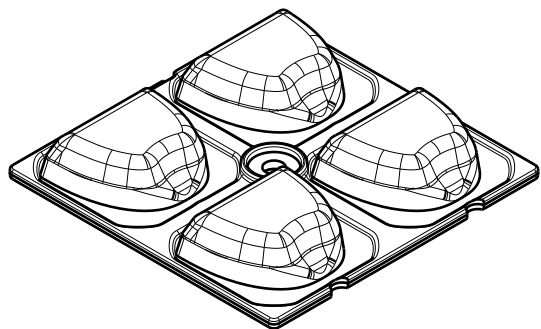
C

B

A

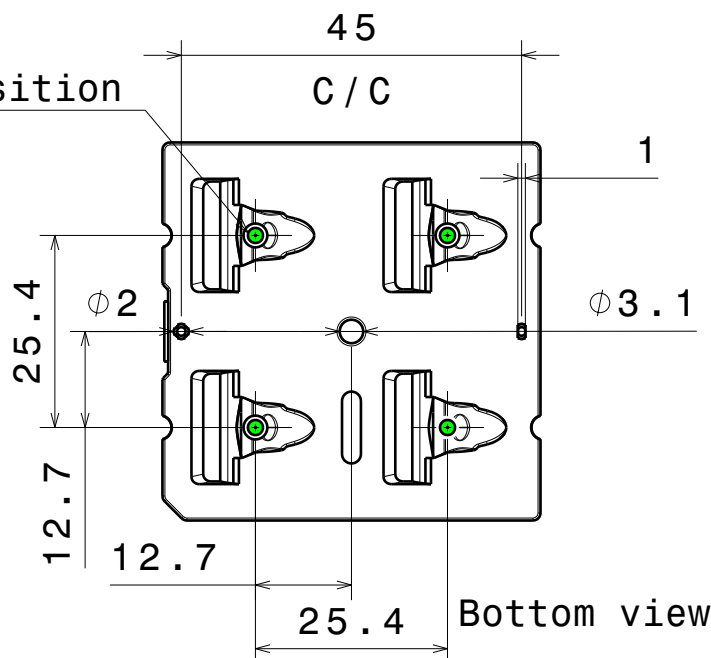
4

4



Isometric view

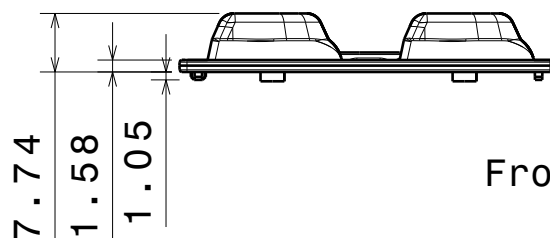
LED position



Bottom view

3

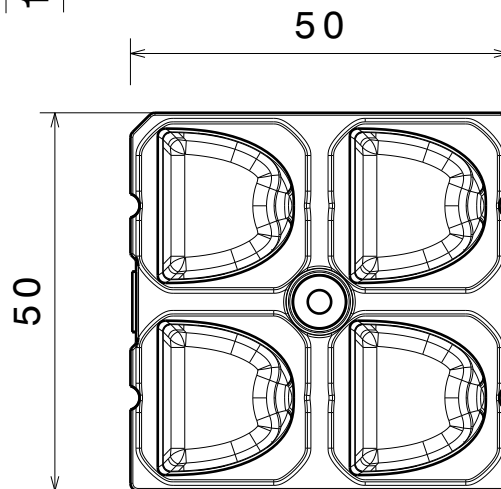
3



Front view

2

2



Top view

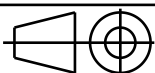
INDEX	PART NO	DESCRIPTION	MATERIAL	COLOUR
1	C12419	STRADA-2X2-A-T	PMMA	

Plastic moulding general tolerances according to DIN 16901-130 and applies if not otherwise shown in the drawing.
Silicone moulding general tolerances according to ISO 3302-1 Class M3 and applies if not otherwise shown in the drawing.

LEDiL

Ledil Oy
Salorankatu 10
FIN 24240 SALO
Finland

THIRD ANGLE PROJECTION:



DRAWING TITLE

C12419_STRADA-2X2-A-T

This drawing is the property of LEDiL Oy. It may not be reproduced, copied or communicated without a written agreement with LEDiL Oy."

SIZE PART NUMBER

A4

C12419

SCALE

1:1

WEIGHT

7,5 g

SHEET

1/1

D

A

1