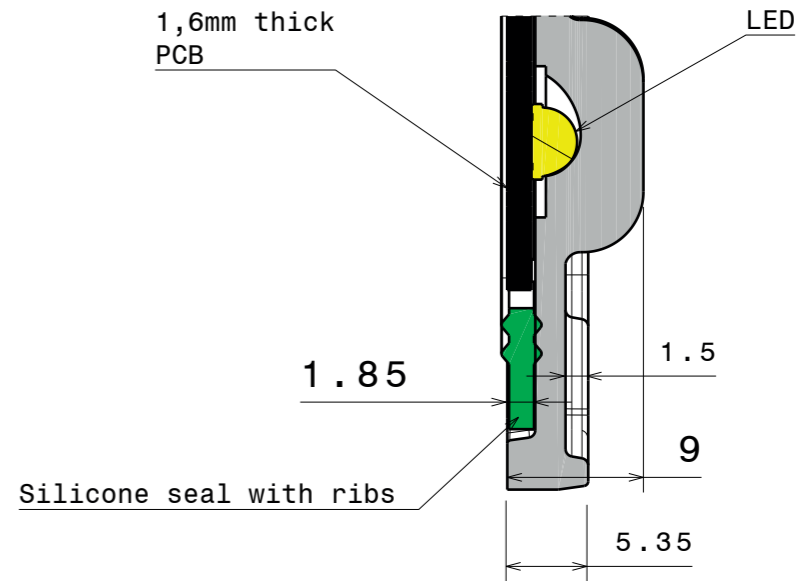
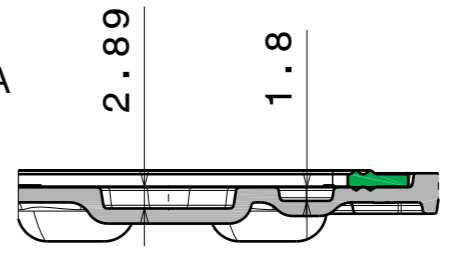


Section view B-B  
Scale: 2:1



Section view A-A



Pockets for wiring and screws

INDEX	PART NO	DESCRIPTION	MATERIAL	COLOUR
1	C12861	STRADA-IP-2X6-DWC	PMMA	clear
2	C14018	2x6-SEAL25	Silicone	white

**LEDiL** Ledil Oy  
Salorankatu 10  
FIN 24240 SALO  
Finland

Plastic moulding general tolerances according to DIN 16901-130 and applies if not otherwise shown in the drawing. Silicone moulding general tolerances according to ISO 3302-1 Class M3 and applies if not otherwise shown in the drawing.

THIRD ANGLE PROJECTION:

This drawing is the property of LEDiL Oy. It may not be reproduced, copied or communicated without a written agreement with LEDiL Oy.

**DRAWING TITLE**  
CS12862\_STRADA-IP-2X6-DWC

**SIZE** A3 **PART NUMBER** CS12862

**SCALE** 1:1 **WEIGHT** 42,3 g **SHEET** 1/1

Top view

Bottom view