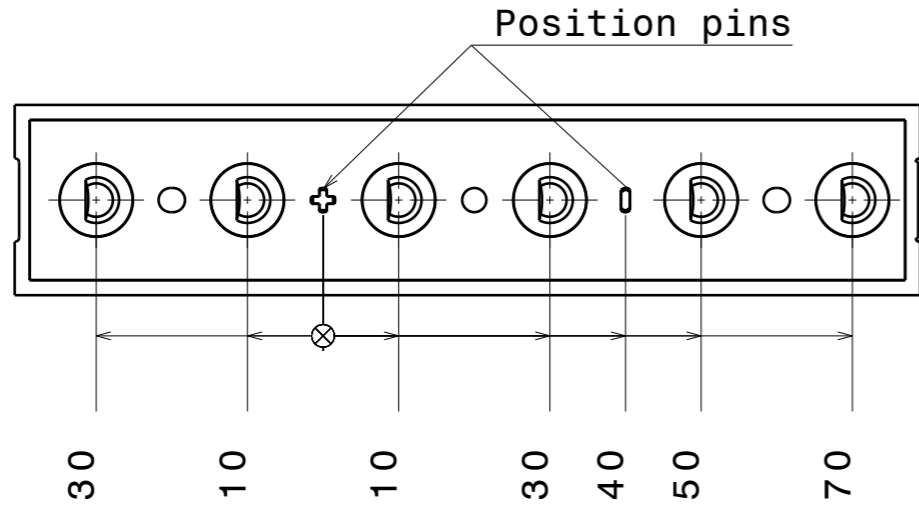
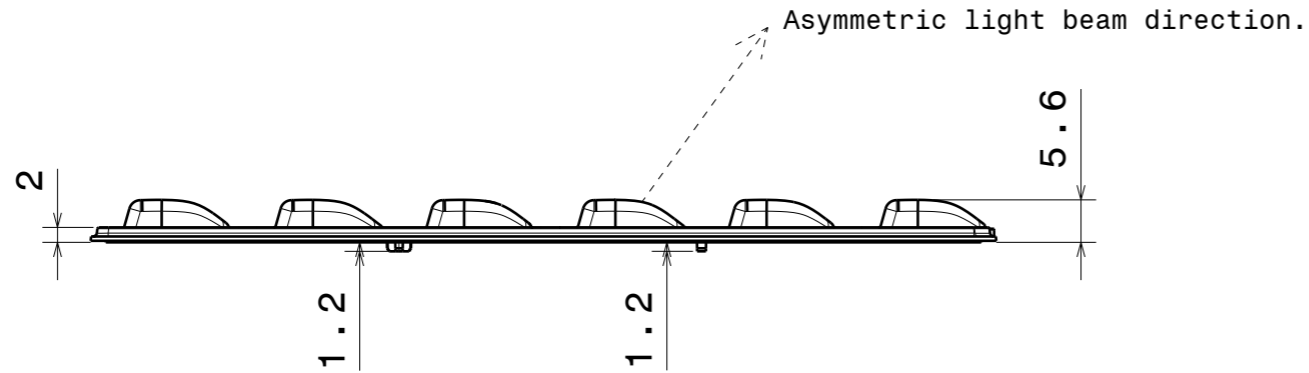


INDEX	PART NO	DESCRIPTION	MATERIAL
1	C13140	STRADA-T-6X1-DWC	PMMA 8N

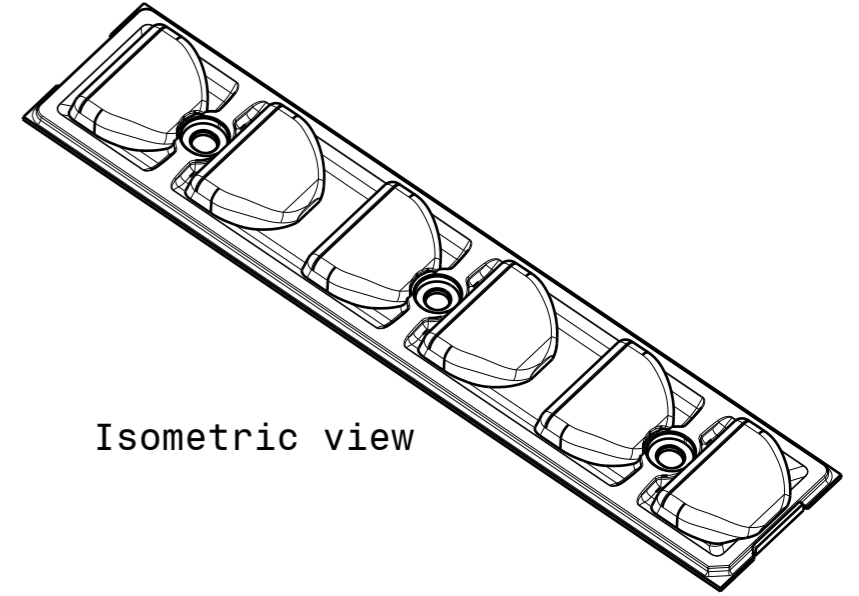
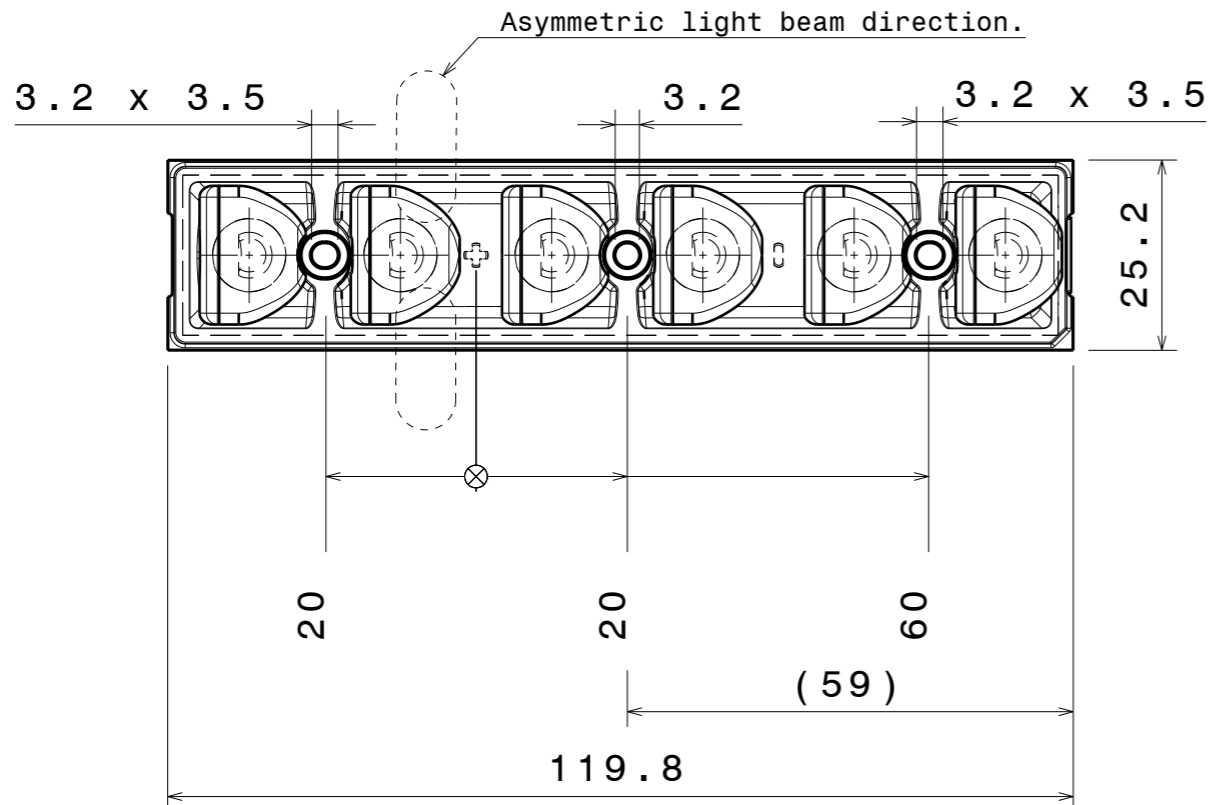
Bottom view



Front view




Top view



Tolerances if not otherwise shown:
According to DIN ISO 2768-1
Linear measures:
Up to 30mm class M, otherwise class C.

According to DIN ISO 2768-2
Form and position:
class L

This drawing is our property. It can't be reproduced or communicated without our written agreement.		 Ledil Oy Salorankatu 10 FIN 24240 SALO Finland	
DRAWING TITLE		Part Drawing	
DRAWN BY mav	DATE 2.10.2012	C13140 STRADA-T-6X1-DWC mechanical	
CHECKED BY -	DATE -	SIZE A3	PART NUMBER C13140
DESIGNED BY -	DATE -	SCALE 1:1	WEIGHT 9,89 g
		SHEET 1/1	REV 001