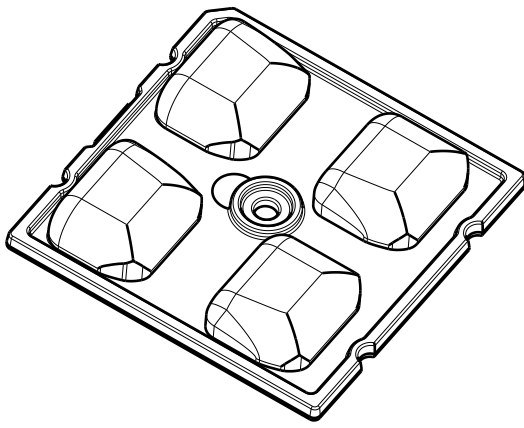
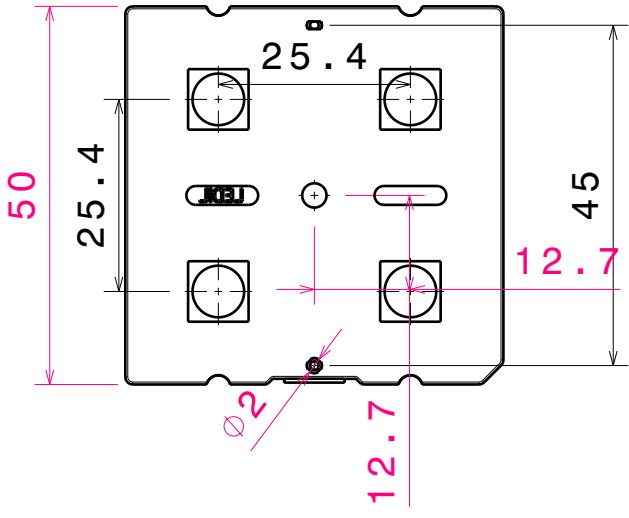


DATE
26.08.2021

4

4

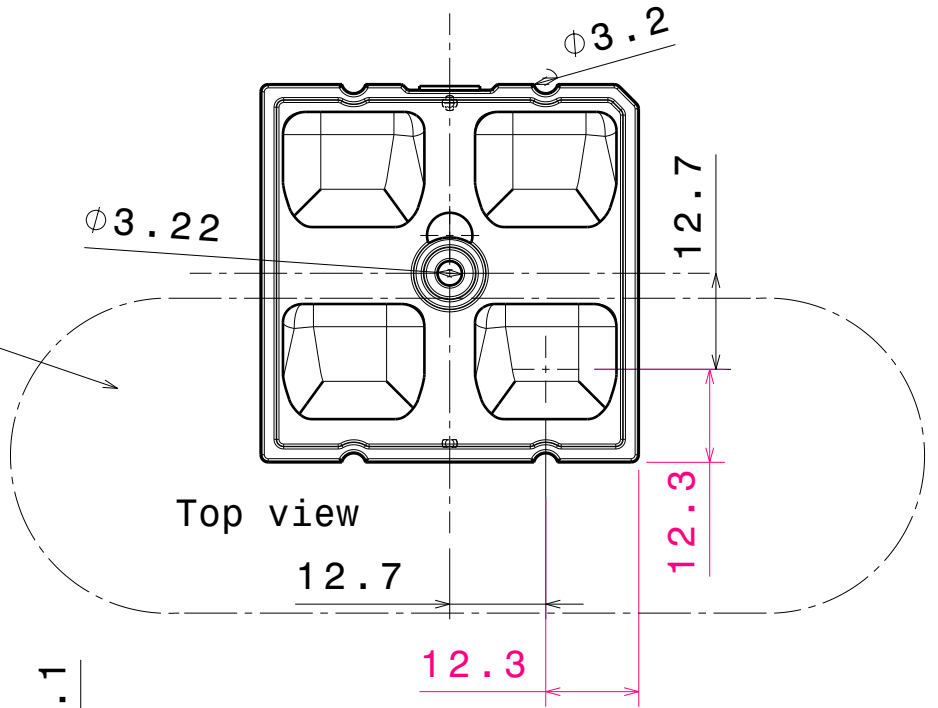


Bottom view

3

3

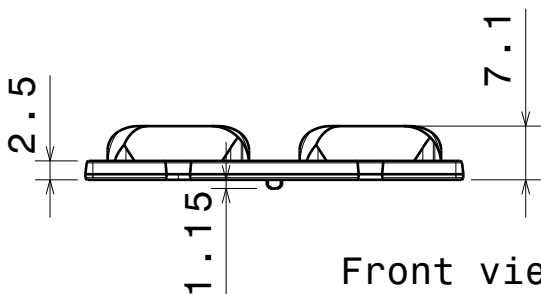
Beam Direction



Top view

2

2



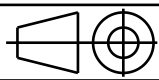
Front view

INDEX	PART NO	DESCRIPTION	MATERIAL	COLOUR
1	C13301	STRADA-2X2-T3	PMMA	

Plastic moulding general tolerances according to DIN 16901-130 and applies if not otherwise shown in the drawing.

LEDiL Ledil Oy
SALO
Finland

FIRST ANGLE PROJECTION:



DRAWING TITLE

STRADA-2X2-T3

This drawing is the property of LEDiL Oy. It may not be reproduced, copied or communicated without a written agreement with LEDiL Oy."

SIZE
A4

C13301

SCALE 1:1 WEIGHT

SHEET 1/1

D

A

1

1