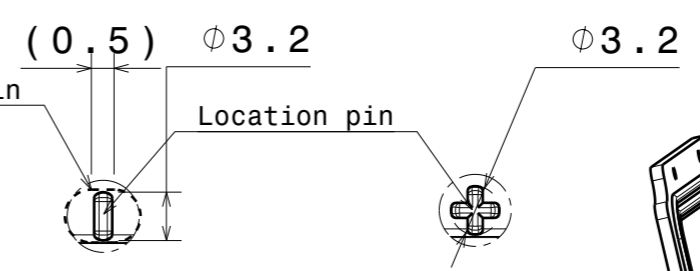
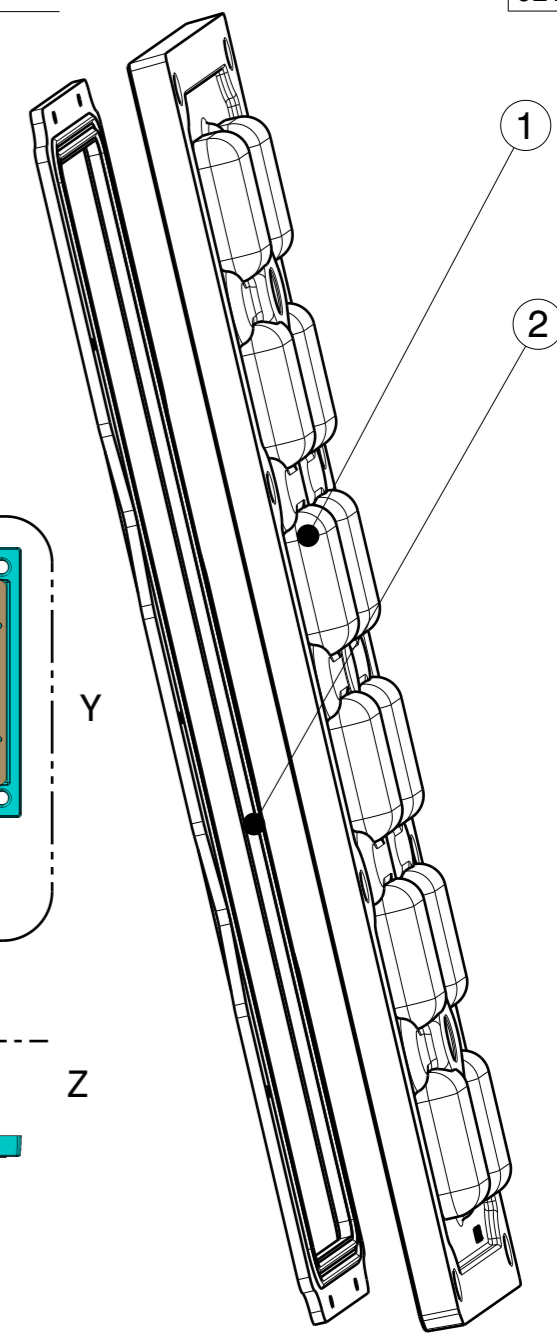
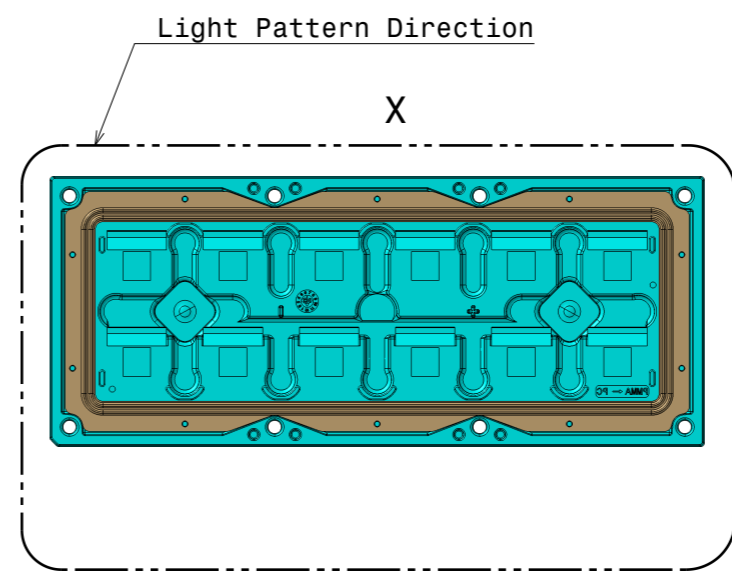


Elongated hole shape recommended for minus location pin



Detail A Scale: 2:1
Detail B Scale: 2:1



CS15223_STRADA-IP-2X6-T2-C-90

COMPONENTS

INDEX	PART	TYPE	MATERIAL	COLOR / COATING
1	C15218_STRADA-IP-2X6-T2-C-90_MechModel		PMMA	
2	C14018_2X6-SEAL25		Silicone	

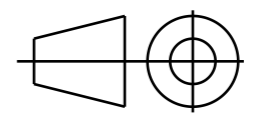
MECHANICAL DRAWING

PRODUCT STRADA



Plastic moulding general tolerances according to DIN 16901-130 and applies if not otherwise shown in the drawing. Silicone moulding general tolerances according to ISO 3302-1 Class M3 and applies if not otherwise shown in the drawing.

FIRST ANGLE PROJECTION:



This drawing is the property of LEDiL Oy. It may not be copied or otherwise distributed without prior written permission from LEDiL Oy.

SCALE	1:1	WEIGHT	57,9 g	A3	SHEET 1/2
-------	-----	--------	--------	----	-----------

- Notes**
- PCB or heatsink level.
 - LED location
 - Ensure LED fitting from a product specific 3D model available from www.ledil.com
 - For more details about installation please see LEDiL Installation Guide on www.ledil.com