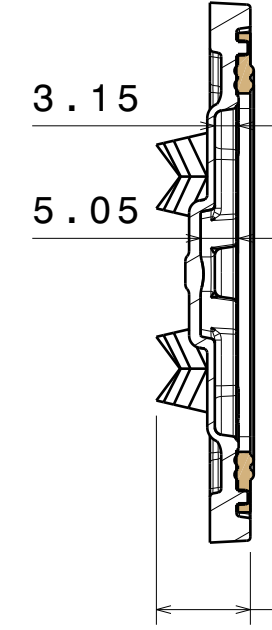
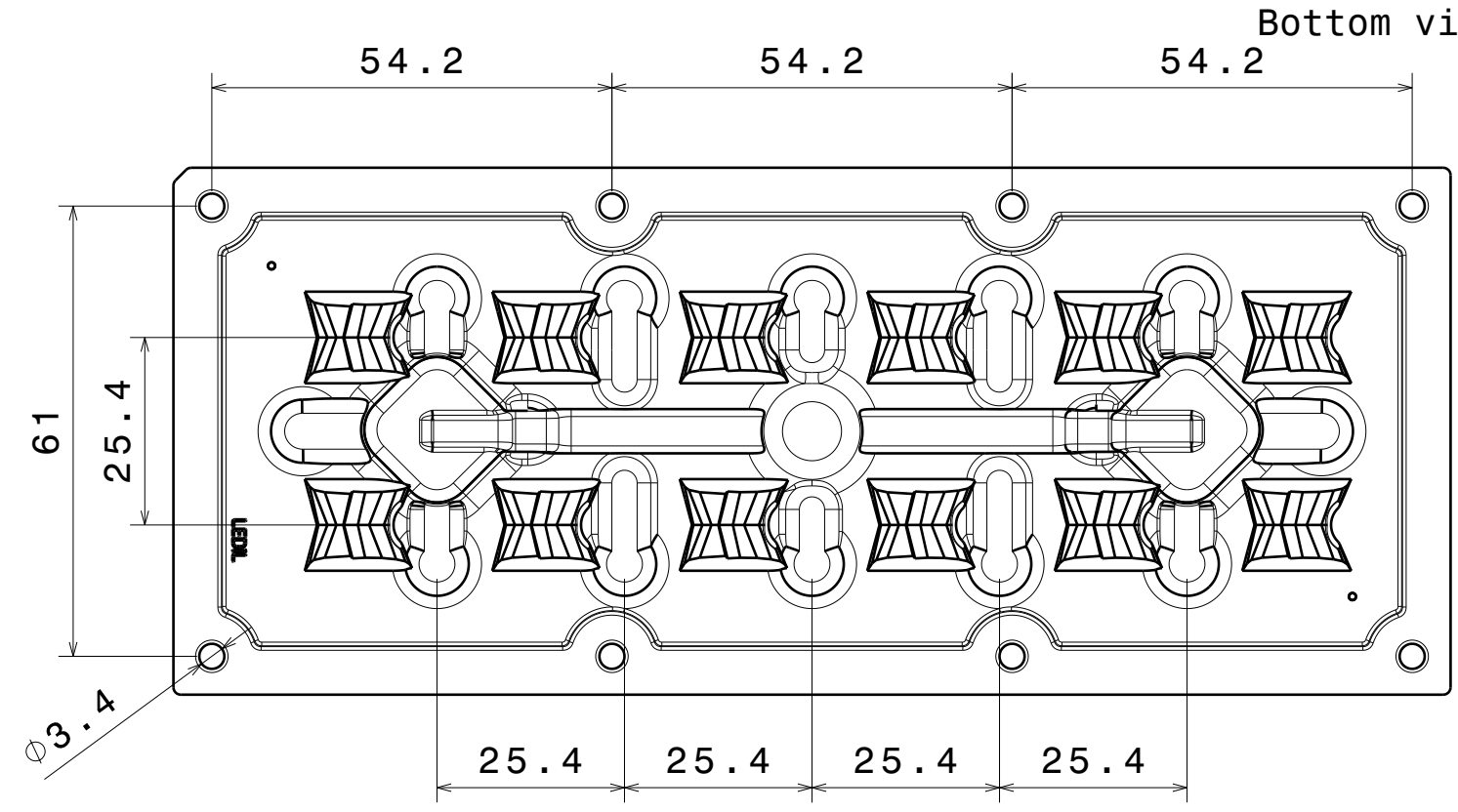


Beam direction  
→



Section view A-A  
Scale: 1:1



Top view

CS15689\_STRADA-IP-2X6-FW

**COMPONENTS**

INDEX	PART	TYPE	MATERIAL	COLOR / COATING
1	C15688_STRADA-IP-2X6-FW		PMMA	
2	C14018_2X6-SEAL25		Silicone	

<b>MECHANICAL DRAWING</b>		<b>LEDiL</b> <sup>®</sup>
PRODUCT <b>STRADA</b>		
Plastic moulding general tolerances according to DIN 16901-130 and applies if not otherwise shown in the drawing. Silicone moulding general tolerances according to ISO 3302-1 Class M3 and applies if not otherwise shown in the drawing.	FIRST ANGLE PROJECTION: 	This drawing is the property of LEDiL Oy. It may not be copied or otherwise distributed without prior written permission from LEDiL Oy.
SCALE 1:1	WEIGHT 53,6 g	A3 SHEET 1/1