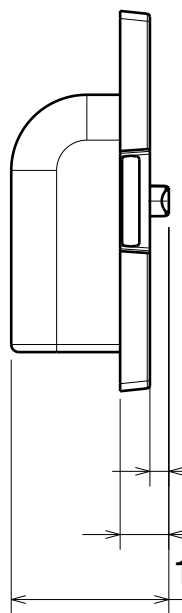


D

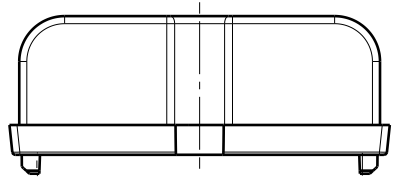
C

B

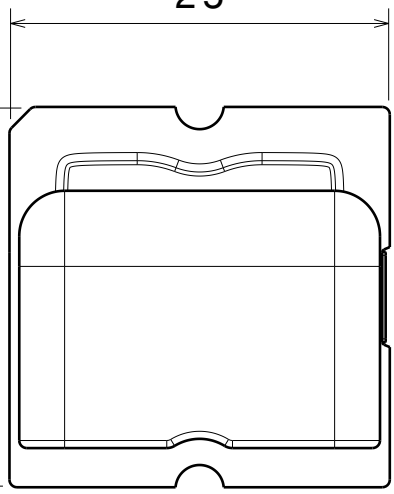
A



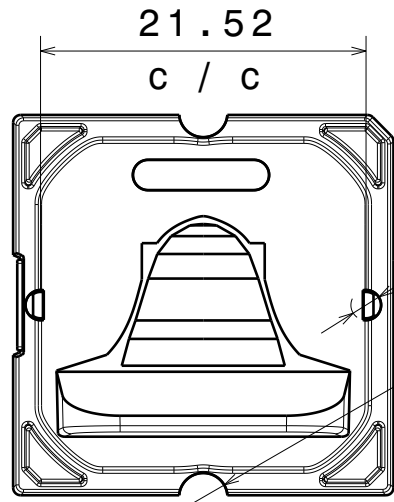
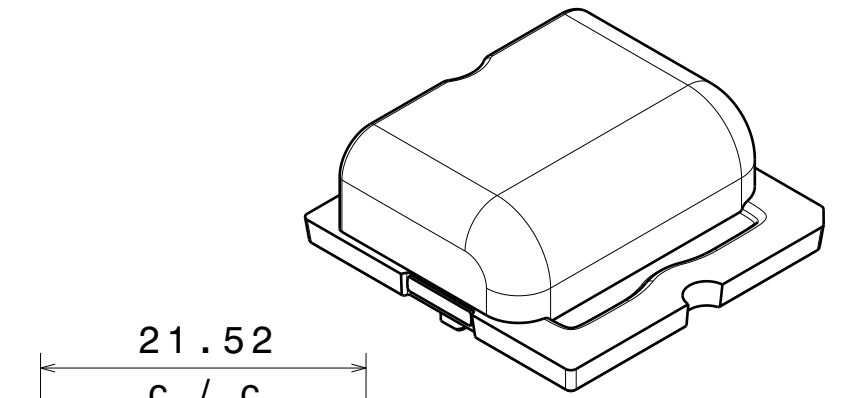
25
1.25
3.22
10.35



25



25



21.52
C / C

Ø2
Ø3.2

INDEX	PART NO	DESCRIPTION	MATERIAL	COLOUR
1	C15945	STRADA-SQ-T2-B	PMMA	Clear

Tolerances if not otherwise shown
According to DIN ISO 2768-1
Linear measures:
Up to 30mm class M, otherwise class C.
According to DIN ISO 2768-2
Form and position: class L

LEDiL Ledil Oy
Salorankatu 10
FIN 24240 SALO
Finland

THIRD ANGLE PROJECTION:

DRAWING TITLE
C15945_STRADA-SQ-T2-B

This drawing is the property of LEDiL Oy. It may not be reproduced, copied or communicated without a written agreement with LEDiL Oy.

SIZE	PART NUMBER
A4	C15945

SCALE	2:1	WEIGHT	3,12 g	SHEET	1/1
-------	-----	--------	--------	-------	-----

D

A

4

4

3

3

2

2

1

1