

H G F E D C B A

4

3

2

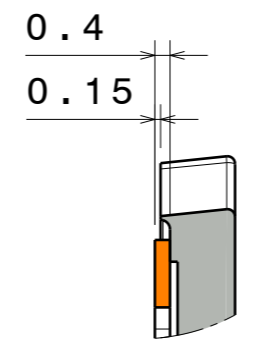
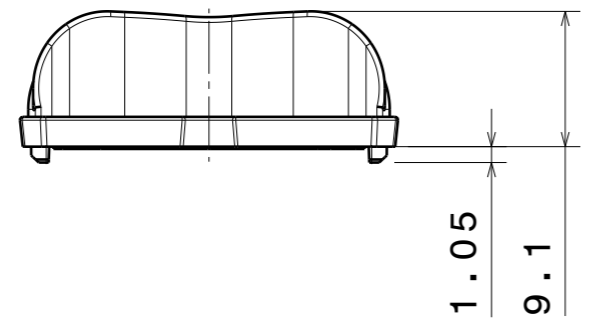
1

4

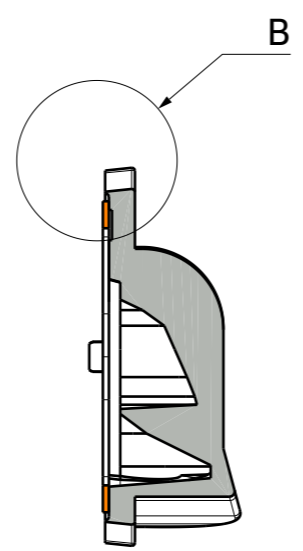
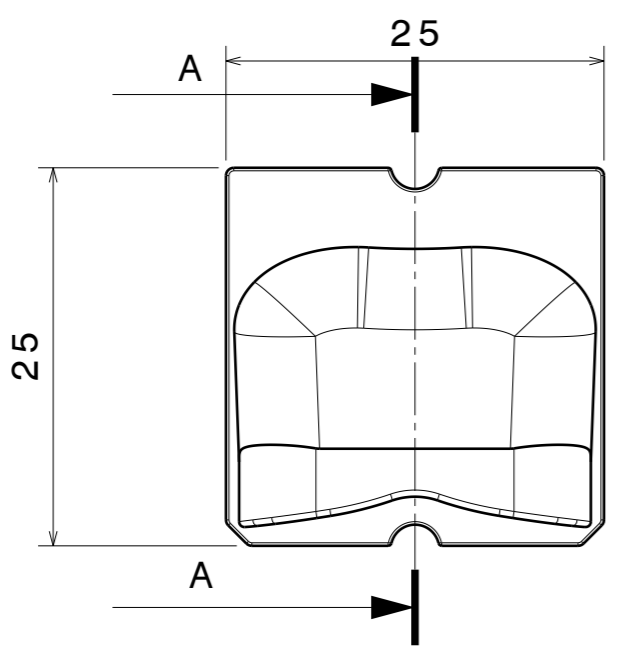
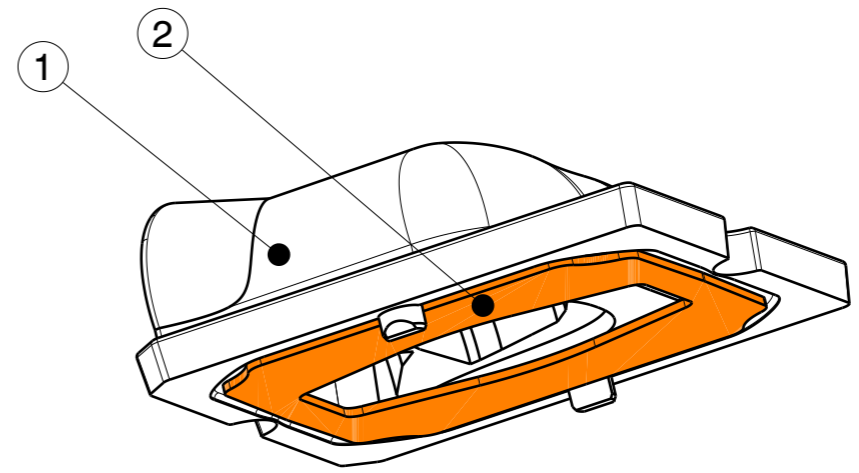
3

2

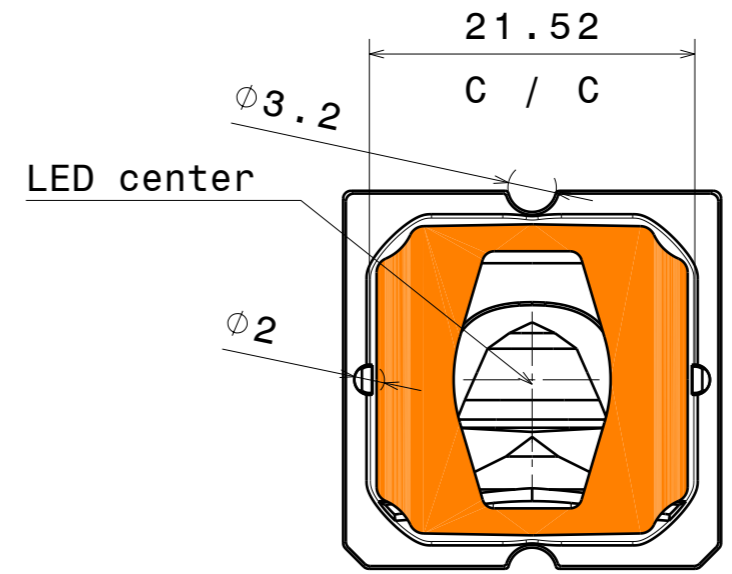
1



Detail B  
Scale: 5:1



Section view A-A

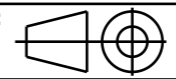


INDEX	PART NO	DESCRIPTION	MATERIAL	COLOUR
1	C16014	STRADA-SQ-SCL	PMMA	Clear
2	C14564	ROSE-TAPE	Acrylic foam	Adhesive

Tolerances if not otherwise shown  
According to DIN ISO 2768-1  
Linear measures:  
Up to 30mm class M, otherwise class C.  
According to DIN ISO 2768-2  
Form and position: class L

**LEDiL** LediL Oy  
Salorankatu 10  
FIN 24240 SALO  
Finland

FIRST ANGLE PROJECTION:



DRAWING TITLE  
**STRADA-SQ-SCL Mechanical Drawing**

This drawing is the property of LEDiL Oy. It may not be reproduced, copied or communicated without a written agreement with LEDiL Oy.

SIZE	PART NUMBER
<b>A3</b>	<b>CA16015</b>

SCALE	2:1	WEIGHT	3,28 g	SHEET	1/1
-------	-----	--------	--------	-------	-----

H G B A