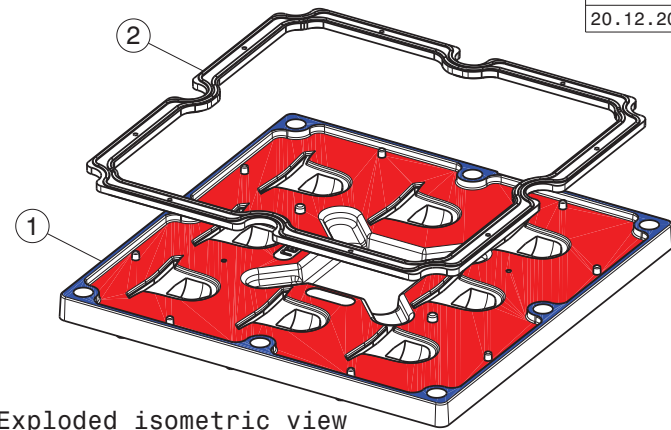
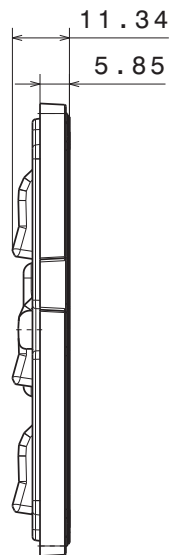
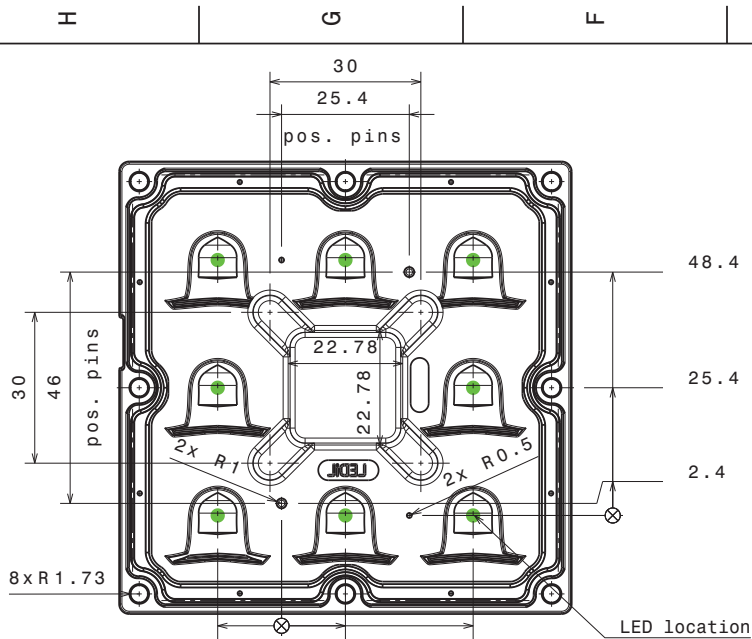
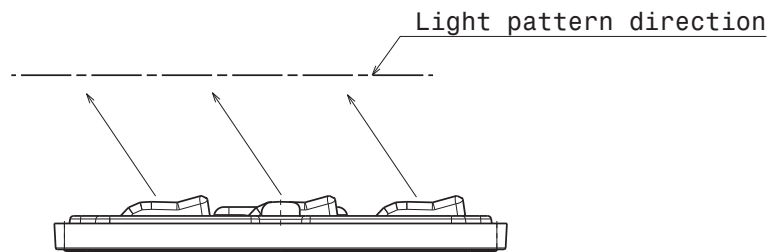
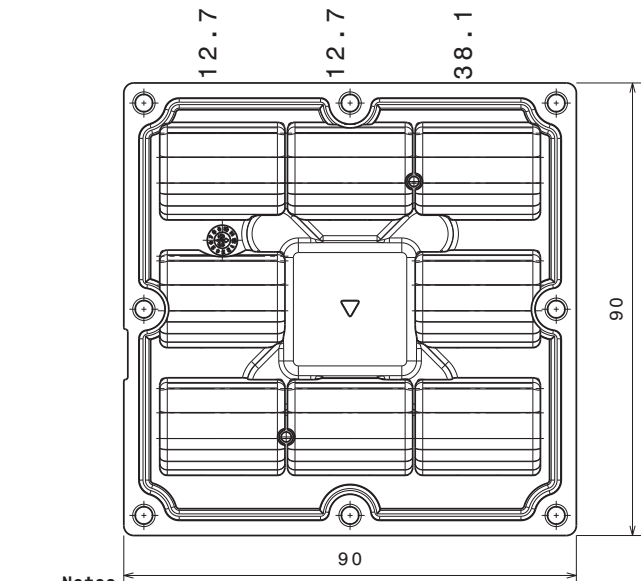


DATE
20.12.2019



Exploded isometric view
scale: 1:1



CS16881_STRADA-IP-8MX-SCL-PC

COMPONENTS

INDEX	PART	TYPE	MATERIAL	COLOR / COATING
1	C16882_STRADA-IP-8MX-SCL-PC	Lens	PC	clear
2	C16782_STRADA-IP-8MX-SEAL	Seal	Silicone	White

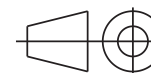
MECHANICAL DRAWING

PRODUCT
STRADA

LEDiL®

Plastic moulding general tolerances according to DIN 16901-130 and applies if not otherwise shown in the drawing.
Silicone moulding general tolerances according to ISO 3302-1 Class M3 and applies if not otherwise shown in the drawing.

FIRST ANGLE PROJECTION:



This drawing is the property of LEDiL Oy. It may not be copied or otherwise distributed without prior written permission from LEDiL Oy.

SCALE 1:1

WEIGHT 43 g

A3 SHEET 1/2

Notes

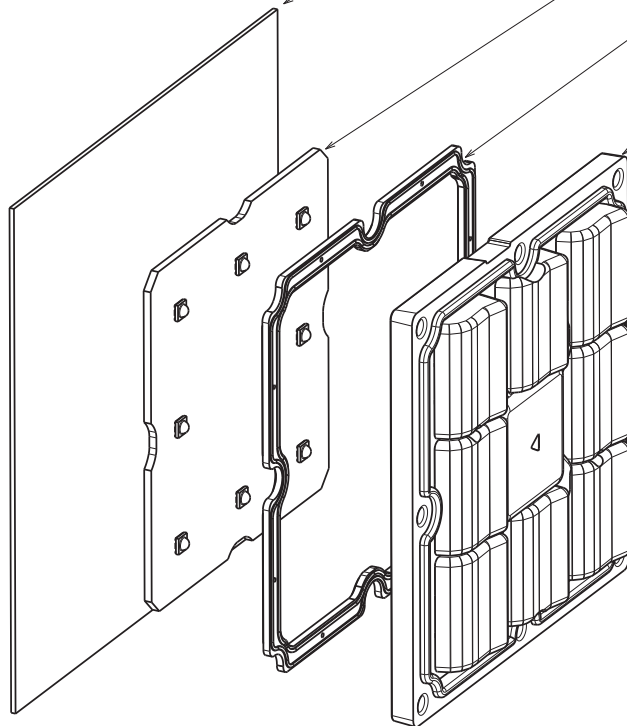
●	Heatsink level
●	PCB level
●	LED location
Ensure LED fitting from a product specific 3D model available from www.ledil.com	
For more details about installation please see LEDiL Installation Guide on www.ledil.com	

HEATSINK/MOUNTING PLANE

PCB

SEALING

LENS



DATE
20.12.2019

CS16881_STRADA-IP-8MX-SCL-PC

COMPONENTS

INDEX	PART	TYPE	MATERIAL	COLOR / COATING
1	C16882_STRADA-IP-8MX-SCL-PC	Lens	PC	clear
2	C16782_STRADA-IP-8MX-SEAL	Seal	Silicone	White

INSTALLATION

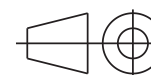
MECHANICAL DRAWING

PRODUCT
STRADA

LEDiL®

Plastic moulding general tolerances according to DIN 16901-130 and applies if not otherwise shown in the drawing.
Silicone moulding general tolerances according to ISO 3302-1 Class M3 and applies if not otherwise shown in the drawing.

FIRST ANGLE PROJECTION:



This drawing is the property of LEDiL Oy. It may not be copied or otherwise distributed without prior written permission from LEDiL Oy.

SCALE 1:1

WEIGHT -

A3 SHEET 2/2

Notes

Ensure LED fitting from a product specific 3D model available from www.ledil.com

For more details about installation please see LEDiL Installation Guide on www.ledil.com