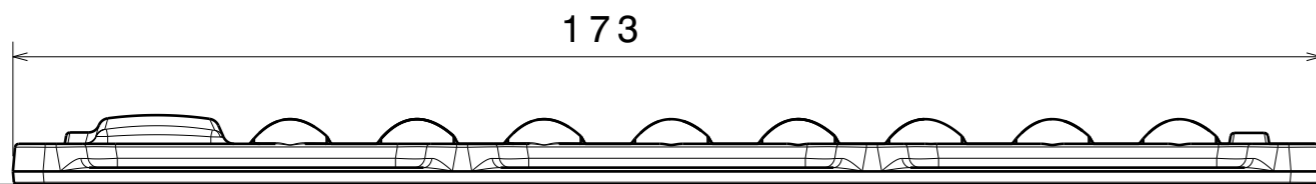
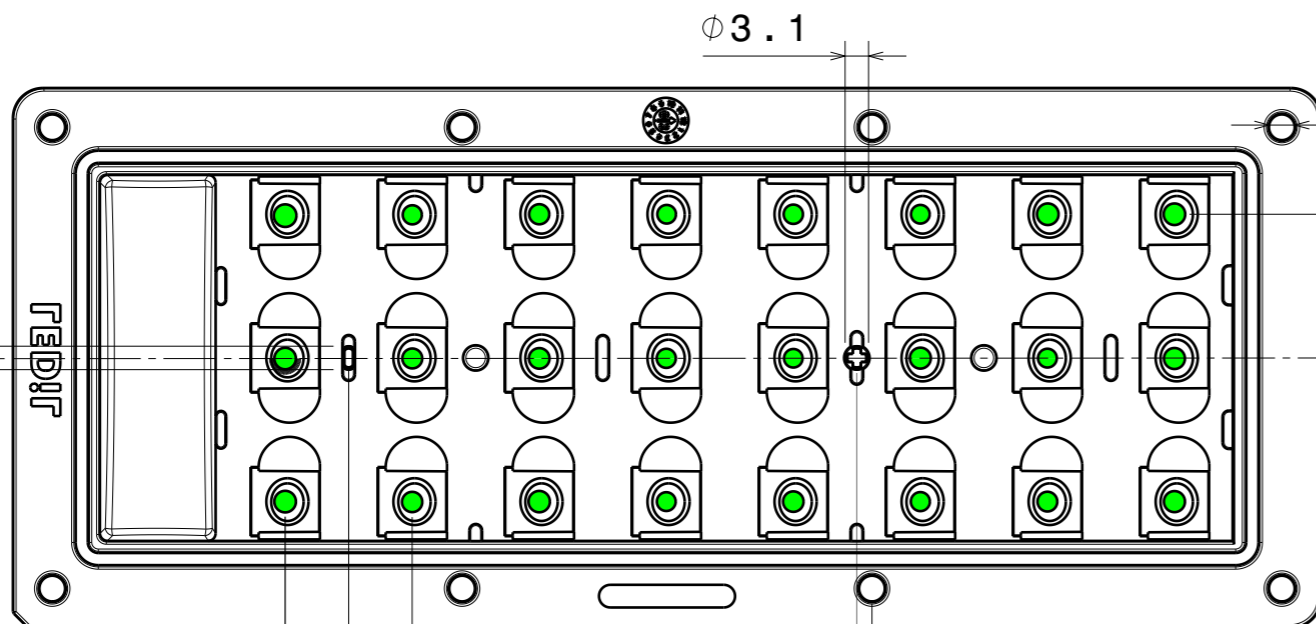
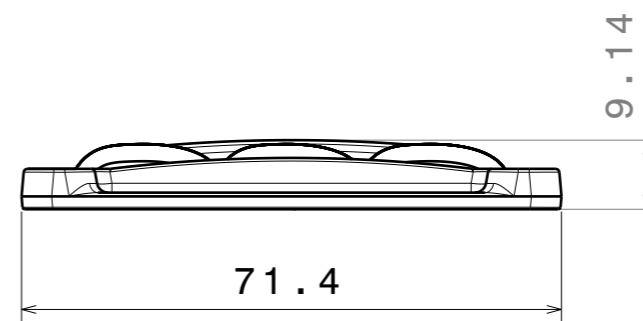


Light pattern direction



Heatsink level



PART	TYPE	MATERIAL	COLOR / COATING
C17832_STRADA-IP-24-T2M-NH_MechModel		PC	clear

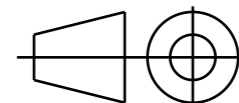
MECHANICAL DRAWING

PRODUCT
STRADA_IP-24

LEDiL®

Plastic moulding general tolerances according to DIN 16901-130 and applies if not otherwise shown in the drawing. Silicone moulding general tolerances according to ISO 3302-1 Class M3 and applies if not otherwise shown in the drawing.

FIRST ANGLE PROJECTION:



This drawing is the property of LEDiL Oy. It may not be copied or otherwise distributed without prior written permission from LEDiL Oy.

SCALE 1:1

WEIGHT -

A3 SHEET 1/1

Notes

- PCB or heatsink level.
- LED location
- Ensure LED fitting from a product specific 3D model available from www.ledil.com
- For more details about installation please see LEDiL Installation Guide on www.ledil.com

4

4

3

3

2

2

1

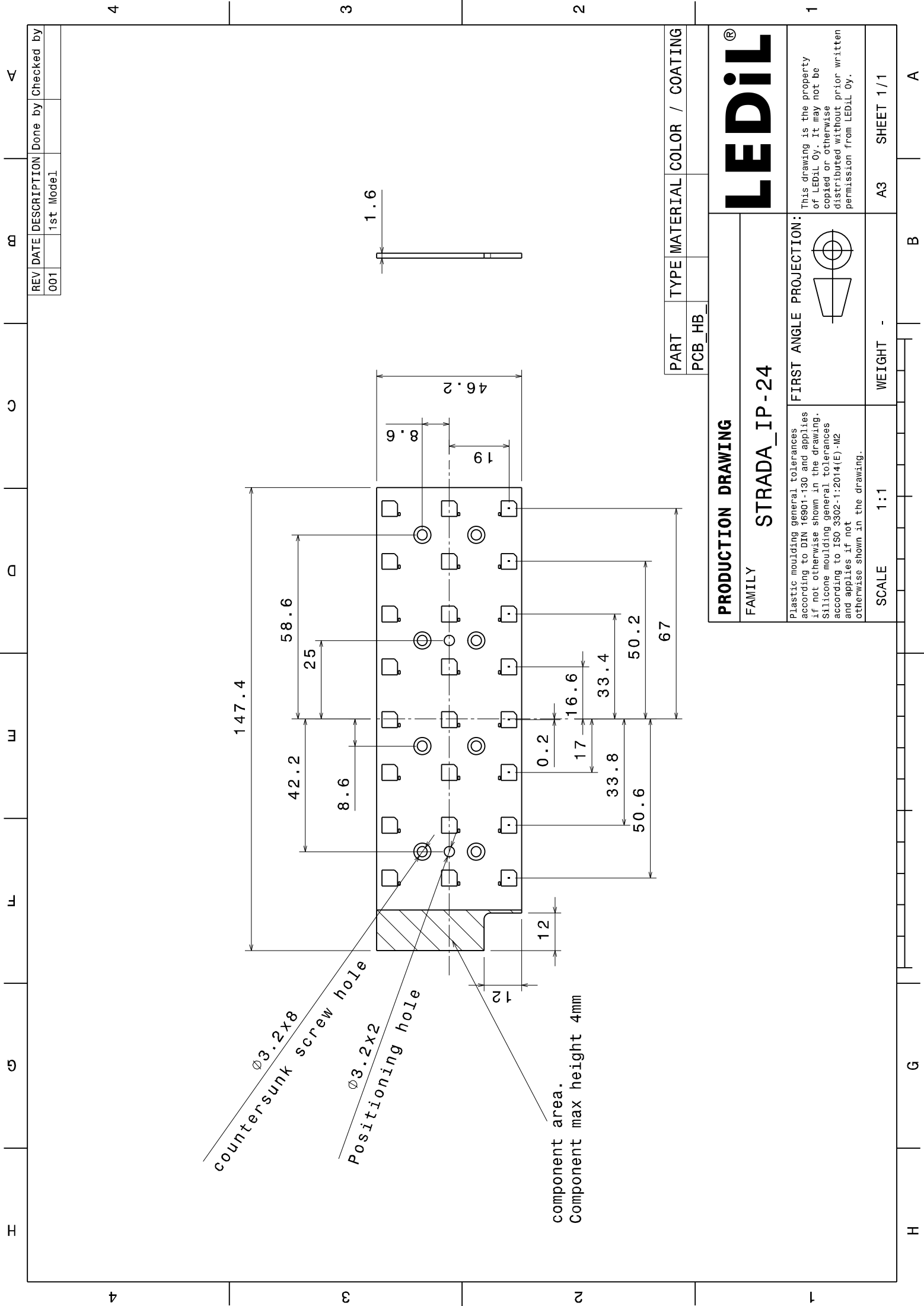
1

H

G

B

A



REV	DATE	DESCRIPTION	Done by	Checked by
001		1st Model		

PART	TYPE	MATERIAL	COLOR	COATING
PCB_HB				

PRODUCTION DRAWING

FAMILY
STRADA_IP-24

LEDiL®

Plastic moulding general tolerances according to DIN 16901-130 and applies if not otherwise shown in the drawing. Silicone moulding general tolerances according to ISO 3302-1:2014(E)-M2 and applies if not otherwise shown in the drawing.

FIRST ANGLE PROJECTION:

This drawing is the property of LEDiL Oy. It may not be copied or otherwise distributed without prior written permission from LEDiL Oy.

SCALE 1:1

WEIGHT -

A3 SHEET 1/1

